



JSFVR-5 STAINLESS STEEL VANDAL RESISTANT FAUCET

LEAD FREE



100%
STAINLESS STEEL
CONSTRUCTION



ADA
COMPLIANT



VANDAL
RESISTANT

Meets AB1953

JSFVR-5 FAUCET
SPECIFICATIONS

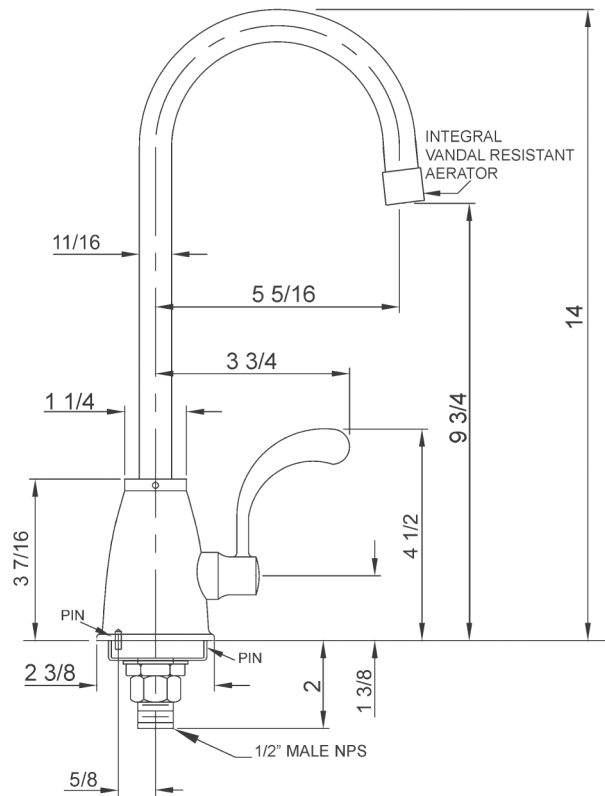
Deck mounted single handle ADA Compliant faucet. Features include Type 304 **all stainless steel** body, spout, handle and supply pipe with ceramic disc cartridge. Highly buffed stainless finish. Aerator integral to spout and vandal resistant. Aerator removable with proprietary faucet wrench.

- **Cast stainless steel body**
- **Stainless steel pipe spout is schedule 40 pipe thickness**
- **Cast solid lever handle**
- **Ceramic disc cartridge**
- **Integral, serviceable vandal resistant aerator**
- **Pipe spout is 100% stronger than conventional brass tubular spouts**

All Stainless Steel faucet complements the JUST JSB-10 cast stainless bubbler. A Type 304 cast stainless body with a stainless steel pipe spout. Completely **vandal resistant** and **lead free**. ADA compliant. Quarter turn ceramic disc cartridge.

Enhanced commercial grade design meets and exceeds the harsh academic environmental needs, be it vandal resistance or ADA compliance. The Just all stainless packages are a first in the market.

All stainless steel body with no possibility of chrome plating degradation.



STAINLESS STEEL FAUCETS



JUST MANUFACTURING COMPANY	9233 KING STREET	FRANKLIN PARK	ILLINOIS	60131
PH: 847.678.5150	FAX: 847.678.6817	EMAIL: CUSTSERV@JUSTMFG.COM	WEBSITE: WWW.JUSTMFG.COM	