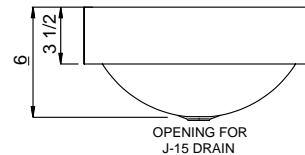
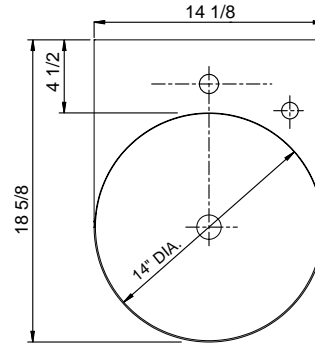




WHL-14-S

INSTITUTIONAL GROUP
WALL-HUNG LAVATORY
with SENSOR PACKAGE

SUBMITTAL DATA



SPECIFICATIONS

- Seamless welded construction,
- 18 gauge, Type 304, stainless steel.
- Exposed surfaces polished to a non-porous Hand-Blended Just Finish.
- Underside insulates for sound, and reduces condensation.
- Drain punched for Just J-15-FS flat grid strainer.
- Integral stainless steel brackets and wall clip.
- INCLUDES:
- **JSL-150** Sensor-operated deck mounted lavatory faucet with laminar flow control. Includes faucet, sensor assembly, slow-closing solenoid valve.
- **J-15-FS** chrome plated drain with flat grid strainer. 1-1/2" O.D. chrome plated tailpiece, 4" long.
- **JTM-47** Anti-Scald mixing valve with bronze body with integral check valves and adjustment cap with locking feature.
- **JT-150** Chrome plated cast brass 1-1/2" P-trap with cleanout.
- **JHDD-2000** Commercial grade stainless steel soap dispenser.

FAUCET - Must be specified

JSL-150-AC - w/plug-in power adapter

JSL-150-B - w/battery holder



JSL-150



J-15-FS DRAIN



JHDD-2000

JUST MFG. COMPANY CONTINUES TO MAKE QUALITY AND FUNCTIONALITY A MARK OF THE JUST PRODUCT LINE. TO DO SO REQUIRES THAT WE RESERVE THE RIGHT TO CHANGE PRODUCT INFORMATION WITHOUT NOTICE. DIMENSIONS MAY VARY AND ARE SUBJECT TO CHANGE WITHOUT NOTICE. NO RESPONSIBILITY IS ASSUMED FOR USE OF SUPERCEDED OR VOIDED DATA. FOR THE MOST CURRENT AND ACCURATE INFORMATION REGARDING THE COMPLETE LINE OF JUST SINKS, FAUCETS AND DRAINS, CLICK ON THE **SPEC LINE DRAWINGS** LINK ON OUR WEB SITE AT www.justmfg.com

APPROVED FOR MANUFACTURING

MODEL NO.: **WHL-14-S** QTY: _____

JOB NAME: _____

TAG/ITEM: _____

CUSTOMER: _____

SIGNATURE: _____

JUST MANUFACTURING COMPANY

9233 KING STREET . FRANKLIN PARK . ILLINOIS . 60131-2111

PH: 847-678-5150 . FAX: 847-678-6817 . E-MAIL: custserv@justmfg.com . www.justmfg.com



SUBMITTAL DATA



JSL-150



J-15-FS DRAIN

JSL-150 -

Sensor Operated Faucet with Control Module

Sensor-operated deck mounted lavatory faucet with chrome plated, solid, all metal construction. Includes faucet, sensor assembly, 6V DC slow-closing solenoid valve, plug-in power adapter, armored / vandal resistant faucet input power cable, one (1) 3/8" braided S.S. supply line, one (1) in-line filter, 0.5 GPM vandal resistant aerator.

Control module, AC or Battery

AC powered vandal resistant with armored control/ power cable. Power adapter, standard plug-in type, provides 12V DC output. Slow closing solenoid valve, piston-operated, provides reliable smooth operation without water hammer. In-line filter with clean-out trap. Sensor range adjustable from 6" to 30". Automatic time-out feature adjustable from 0(preset-active until no activity sensed) up to 60 seconds in 15 second intervals. Shut-off delay adjustable to 0, 1(preset), 2,4 or 8 seconds.

Battery powered unit available. Specifications same as above, except provides 6V DC and includes battery holder for four AA batteries in lieu of plug-in power adapter.

JTM-47 - Thermostatic Mixing Valve

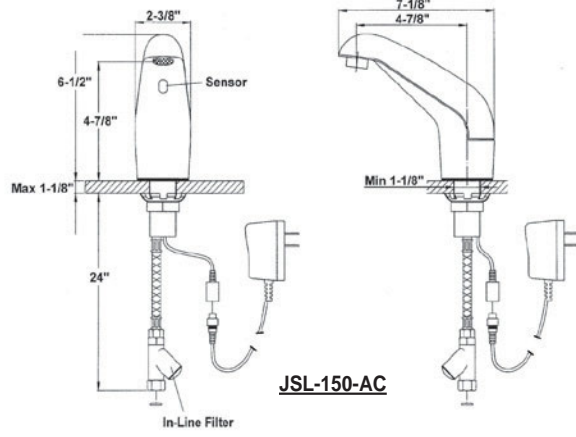
Anti-Scald mixing valve with bronze body with integral check valves and adjustment cap with locking feature. 1/2" sweat union inlet and outlet connections. Temperature range from 60 to 120 F(16 C to 49 C). ASSE Standard 1016 Listed.

J-15-FS DRAIN: Chrome plated brass drain with flat grid strainer. 1-1/2" O.D. chrome plated tailpiece, 4" long

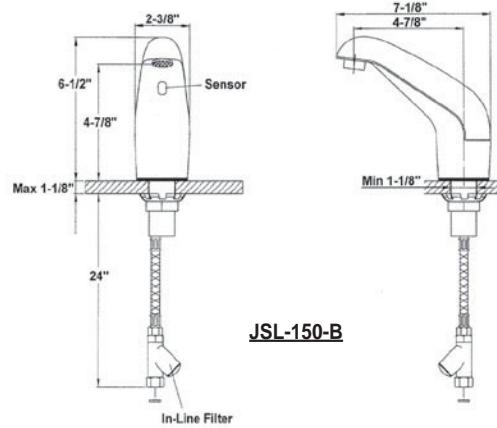
JHDD-2000 SOAP DISPENSER: Commercial grade stainless steel liquid soap dispenser. Operates with one hand using less than 5 lb. of force. Short stroke push of spout dispenses liquid soap. Soap reservoir can be filled from top, 34 fl.oz capacity. Spout assembly of polished type 304 stainless steel Plunger and escutcheon are vandal resistant. Reservoir and shank of high impact resistant ABS.

WHL-14-S

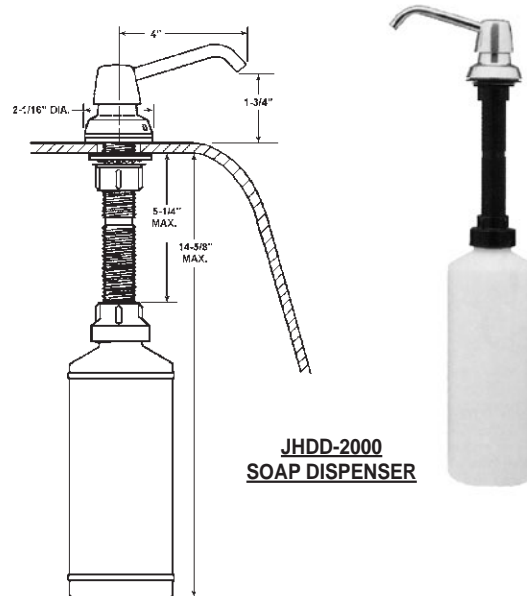
**HEALTHCARE PRODUCT
FITTINGS PACKAGE**



JSL-150-AC



JSL-150-B



**JHDD-2000
SOAP DISPENSER**

JUST MANUFACTURING COMPANY

9233 KING STREET . FRANKLIN PARK . ILLINOIS . 60131-2111

PH: 847-678-5150 . FAX: 847-678-6817 . E-MAIL: custserv@justmfg.com . www.justmfg.com