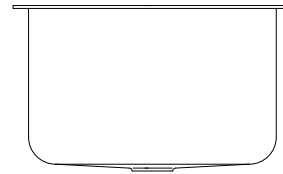
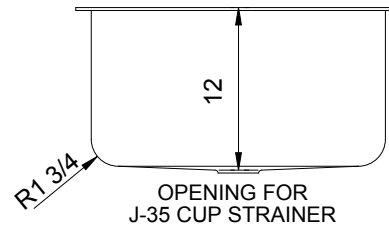
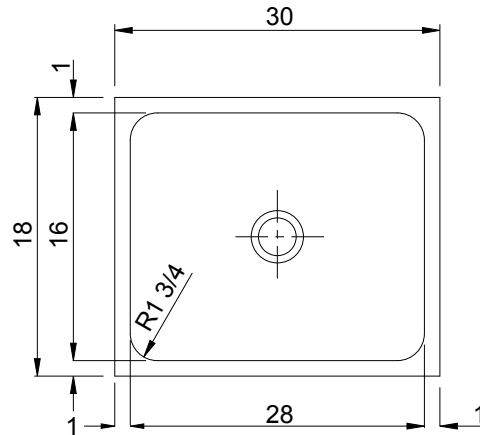
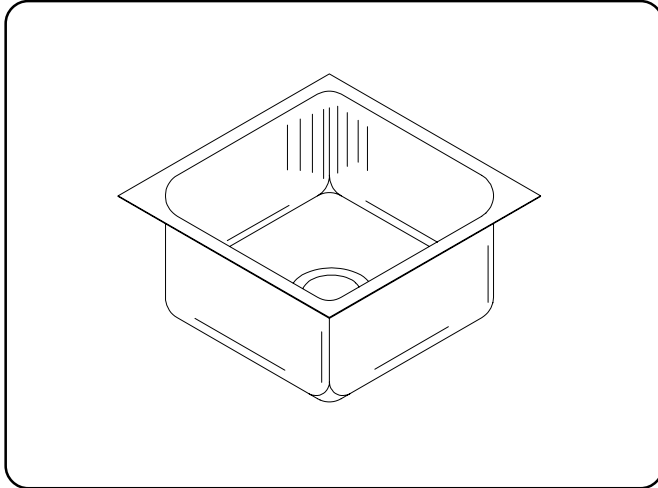




USXD-1830-A

UNDERMOUNT GROUP
GENEROUS CAPACITY - SINGLE COMPARTMENT
EXTRA - DEEP - 18 GAUGE

SUBMITTAL DATA



SPECIFICATION

Seamless die-drawn construction of 18 gauge, type 304, 18-8 stainless steel. Interior and top surfaces polished to a Hand-Blended Just Finish with highlighted bowl rim. Fully coated underside insulates for sound and reduces condensation. Straight-sided compartment with 1-3/4" radius corners provides greater capacity. Conforms to ASME/ANSI A112.19.3M. Drain punched for Just J-35 drain.

□ **TYPE 316 STAINLESS STEEL**

22.90

Gallon Capacity

Capacity Matters

Max ID sizing with straight sided bowl configuration (non tapered sides). Tight corner radius design.

APPROVED FOR MANUFACTURING	
MODEL NO.:	USXD-1830-A QTY: _____
JOB NAME:	_____
TAG/ITEM:	_____
CUSTOMER:	_____
SIGNATURE:	_____



FUNCTIONAL DESIGN, QUALITY, AND SPECIFICATIONS LISTED DESCRIBE THE JUST STANDARD OF QUALITY. WHEN MAKING COMPARISONS WITH OTHER OFFERINGS, INSIST ON THE JUST QUALITY OF CONSTRUCTION. FOR ADDITIONAL INFORMATION REGARDING THE COMPLETE LINE OF **JUST SINKS, FAUCETS AND DRAINS**, VISIT OUR WEB SITE AT **www.justmfg.com**

JUST MANUFACTURING COMPANY

9233 KING STREET . FRANKLIN PARK . ILLINOIS . 60131-2111

PH: 847-678-5150 . FAX: 847-678-6817

E-MAIL: custserv@justmfg.com . www.justmfg.com