



USF-ADA-13518-A - 18 GA. UNDERMOUNT GROUP

ADA COMPLIANT
SINGLE COMPARTMENT
with INTEGRA-FLOW

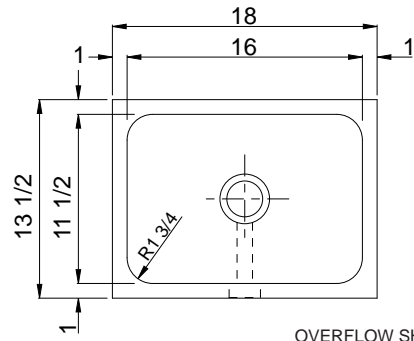
SUBMITTAL DATA



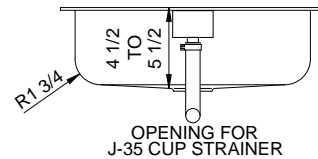
OVERFLOW SHOWN AT REAR

2.95
Gallon
Capacity*

***CAPACITY MATTERS**
Max. I.D. sizing with straight-sided, non-tapered bowl configuration.
Capacity based on 5-1/2" depth.



OVERFLOW SHOWN AT FRONT



OPENING FOR J-35 CUP STRAINER

SPECIFICATION

Seamless die-drawn construction of 18 ga. type 304 stainless steel. Interior and top surfaces polished to a non-porous Hand Blended Just Finish. Fully coated underside insulates for sound and reduces condensation. Straight-sided compartment with 1-3/4" radius corners provides greater capacity. Integra-flow overflow system. Drain punched for Just J-35 drain.

To Be Specified:

DRAIN LOCATION:

<input type="checkbox"/> CENTER (SHOWN)	<input type="checkbox"/> LEFT REAR
<input type="checkbox"/> RIGHT REAR	<input type="checkbox"/> CENTER REAR

LOCATIONS MUST BE A MINIMUM OF 4 1/2" FROM THE BOWL WALL.

DEPTH - MUST BE SPECIFIED:

<input type="checkbox"/> 4 1/2" DEEP	<input type="checkbox"/> 5" DEEP	<input type="checkbox"/> 5-1/2" DEEP
--------------------------------------	----------------------------------	--------------------------------------

OVERFLOW LOCATION MUST BE SPECIFIED:

<input type="checkbox"/> FRONT (SHOWN)	<input type="checkbox"/> REAR	<input type="checkbox"/> LEFT	<input type="checkbox"/> RIGHT
--	-------------------------------	-------------------------------	--------------------------------

* The thickness of the surface material these sinks are mounted under may affect the maximum depth that can be used while maintaining deck height and knee clearances.

APPROVED FOR MANUFACTURING

MODEL NO.: **USF-ADA-13518-A-** QTY: _____

JOB NAME: _____

TAG/ITEM: _____

CUSTOMER: _____

SIGNATURE: _____



JUST MFG. COMPANY CONTINUES TO MAKE QUALITY AND FUNCTIONALITY A MARK OF THE JUST PRODUCT LINE. WE RESERVE THE RIGHT TO CHANGE PRODUCT INFORMATION WITHOUT NOTICE. DIMENSIONS MAY CHANGE AND MAY BE SUBJECT TO CHANGE WITHOUT NOTICE. NO RESPONSIBILITY IS ASSUMED FOR USE OF SUPERCEDED OR VOIDED DATA. JUST MFG. CO. SINKS ARE MADE IN THE U.S.A. WHEN COMPARING OTHER BRAND PRODUCTS, BE SURE TO COMPARE USA QUALITY ALONG WITH FEATURES AND DIMENSIONS.

JUST MANUFACTURING COMPANY

9233 KING STREET . FRANKLIN PARK . ILLINOIS . 60131-2111

PH: 847-678-5150 . FAX: 847-678-6817 . E-MAIL: custserv@justmfg.com . www.justmfg.com