



# USF-1618-A - 18 GA.

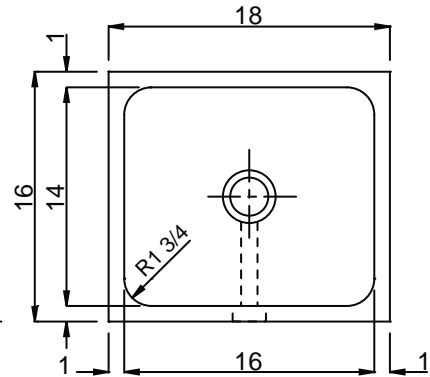
## UNDERMOUNT GROUP SINGLE COMPARTMENT

### with INTEGRA-FLOW OVERFLOW SYSTEM

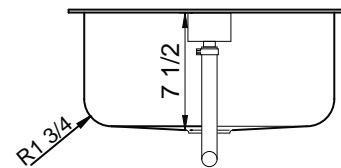
SUBMITTAL DATA



OVERFLOW SHOWN AT REAR



OVERFLOW SHOWN AT FRONT



OPENING FOR J-35 CUP STRAINER

**5.53**  
Gallon  
Capacity\*

**\*CAPACITY MATTERS**

Max I.D. sizing with straight sided, non-tapered bowl configuration.

**SPECIFICATION**

Seamless die-drawn construction of 18 gauge type 304 stainless steel. Interior and top surfaces polished to a non-porous Hand Blended Just Finish. Fully coated underside insulates for sound and reduces condensation. Straight sided compartment with 1-3/4" radius corners provides greater capacity. Integra-flow overflow system. Drain punched for Just J-35 drain.

<b>OVERFLOW LOCATION - MUST BE SPECIFIED:</b>				
<input type="checkbox"/> FRONT	<input type="checkbox"/> REAR (SHOWN)	<input type="checkbox"/> LEFT	<input type="checkbox"/> RIGHT	

APPROVED FOR MANUFACTURING	
MODEL NO.:	<b>USF-1618-A</b> QTY: _____
JOB NAME:	_____
TAG/ITEM:	_____
CUSTOMER:	_____
SIGNATURE:	_____



JUST MFG. COMPANY CONTINUES TO MAKE QUALITY AND FUNCTIONALITY A MARK OF THE JUST PRODUCT LINE. WE RESERVE THE RIGHT TO CHANGE PRODUCT INFORMATION WITHOUT NOTICE. DIMENSIONS MAY CHANGE AND MAY BE SUBJECT TO CHANGE WITHOUT NOTICE. NO RESPONSIBILITY IS ASSUMED FOR USE OF SUPERCEDED OR VOIDED DATA. JUST MFG. CO. SINKS ARE MADE IN THE U.S.A. WHEN COMPARING OTHER BRAND PRODUCTS, BE SURE TO COMPARE USA QUALITY ALONG WITH FEATURES AND DIMENSIONS.

**JUST MANUFACTURING COMPANY** 9233 KING STREET . FRANKLIN PARK . ILLINOIS . 60131-2111  
 PH: 847-678-5150 . FAX: 847-678-6817 . E-MAIL: custserv@justmfg.com . www.justmfg.com