



US-ADA-1824-A - 18 GA. **UNDERMOUNT GROUP**

ADA COMPLIANT
SINGLE COMPARTMENT

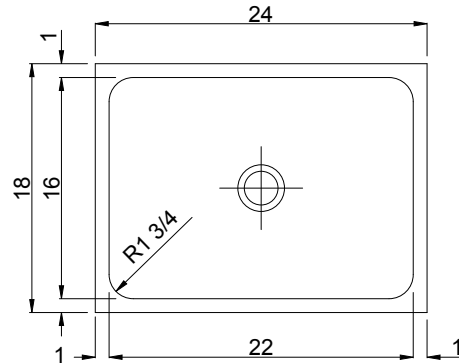
SUBMITTAL DATA



ADA COMPLIANT

SPECIFICATION

Seamless die-drawn construction of 18 gauge, type 304, 18-8 stainless steel. Interior and top surfaces polished to a non-porous Hand-Blended Just Finish with highlighted bowl rim. Smooth, fully coated underside insulates for sound and reduces condensation. Certified to ASME A112.19.3/CSA B45.4, Canadian Standards Association (CSA), Uniform Plumbing Code (UPC), International Plumbing Code (IPC). Drain punched for J-35 drain.



8.11 Capacity Matters
Gallon Capacity* Max ID sizing with straight sided bowl configuration (non tapered sides). Tight corner radius design.

*Capacity is based on 5-1/2" Depths

To Be Specified:

DRAIN LOCATION:

<input type="checkbox"/> CENTER (SHOWN)	<input type="checkbox"/> LEFT REAR
<input type="checkbox"/> RIGHT REAR	<input type="checkbox"/> CENTER REAR

LOCATIONS MUST BE A MINIMUM OF 4-1/2" FROM THE BOWL WALL.

DEPTH* - MUST BE SPECIFIED:

<input type="checkbox"/> 4 1/2" DEEP	<input type="checkbox"/> 5" DEEP	<input type="checkbox"/> 5-1/2" DEEP
--------------------------------------	----------------------------------	--------------------------------------

*The thickness of the surface material these sinks are mounted under may affect the maximum depth that can be used while maintaining deck height and knee clearances.

APPROVED FOR MANUFACTURING

MODEL NO.: **US-ADA-1824-A** QTY: _____

JOB NAME: _____

TAG/ITEM: _____

CUSTOMER: _____

SIGNATURE: _____



JUST MFG. COMPANY CONTINUES TO MAKE QUALITY AND FUNCTIONALITY A MARK OF THE JUST PRODUCT LINE. TO DO SO REQUIRES THAT WE RESERVE THE RIGHT TO CHANGE PRODUCT INFORMATION WITHOUT NOTICE. DIMENSIONS MAY VARY AND ARE SUBJECT TO CHANGE WITHOUT NOTICE. NO RESPONSIBILITY IS ASSUMED FOR USE OF SUPERCEDED OR VOIDED DATA. FOR THE MOST CURRENT AND ACCURATE INFORMATION REGARDING THE COMPLETE LINE OF JUST SINKS, FAUCETS AND DRAINS, CLICK ON THE **SPEC LINE DRAWINGS** LINK ON OUR WEB SITE AT www.justmfg.com

JUST MANUFACTURING COMPANY 9233 KING STREET . FRANKLIN PARK . ILLINOIS . 60131-2111

PH: 847-678-5150 . FAX: 847-678-6817 . E-MAIL: custserv@justmfg.com . www.justmfg.com