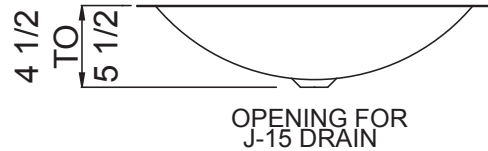
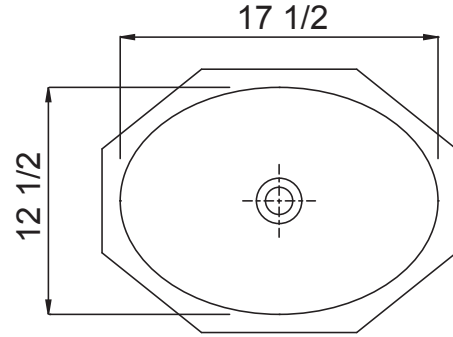




# UOIR-ADA-1521-A - 18 GA.

## UNDERMOUNT GROUP

ADA COMPLIANT  
OVAL LAVATORY



**SUBMITTAL DATA**

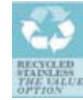
### SPECIFICATION

Seamless die-drawn construction of 18 gauge type 304, 18-8 stainless steel. Interior surfaces polished to a non-porous Fully-Blended JUST Finish. Fully coated underside insulates for sound, and reduces condensation. Drain opening for J-15-FS drain.

### DEPTH MUST BE SPECIFIED:

<input type="checkbox"/>	4-1/2" DEEP
<input type="checkbox"/>	5" DEEP
<input type="checkbox"/>	5-1/2" DEEP

APPROVED FOR MANUFACTURING	
MODEL NO.:	QTY:
JOB NAME:	
TAG/ITEM:	
CUSTOMER:	
SIGNATURE:	



JUST MFG. COMPANY CONTINUES TO MAKE QUALITY AND FUNCTIONALITY A MARK OF THE JUST PRODUCT LINE. TO DO SO REQUIRES THAT WE RESERVE THE RIGHT TO CHANGE PRODUCT INFORMATION WITHOUT NOTICE. DIMENSIONS MAY VARY AND ARE SUBJECT TO CHANGE WITHOUT NOTICE. NO RESPONSIBILITY IS ASSUMED FOR USE OF SUPERCEDED OR VOIDED DATA. FOR THE MOST CURRENT AND ACCURATE INFORMATION REGARDING THE COMPLETE LINE OF JUST SINKS, FAUCETS AND DRAINS, CLICK ON THE **SPEC LINE DRAWINGS** LINK ON OUR WEB SITE AT [www.justmfg.com](http://www.justmfg.com)

**JUST MANUFACTURING COMPANY**

9233 KING STREET . FRANKLIN PARK . ILLINOIS . 60131-2111

PH: 847-678-5150 . FAX: 847-678-6817 . E-MAIL: [custserv@justmfg.com](mailto:custserv@justmfg.com) . [www.justmfg.com](http://www.justmfg.com)