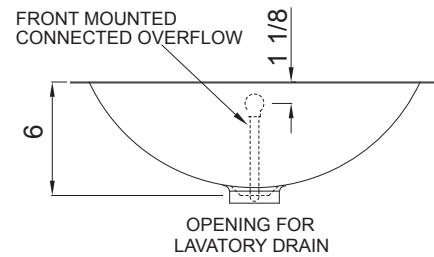
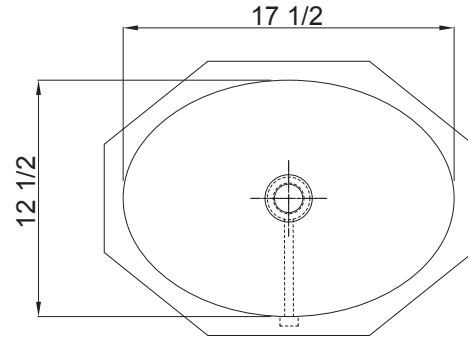




UOIF-1521-A - 18 GA.

UNDERMOUNT GROUP OVAL LAVATORY with OVERFLOW

SUBMITTAL DATA



SPECIFICATION

Seamless die-drawn construction of 18 gauge type 304, 18-8 stainless steel. Interior surfaces polished to a non-porous Fully-Blended JUST Finish. Fully coated underside insulates for sound, and reduces condensation. Drain opening for J-115-FS drain.

2.91 Gallon Capacity	Capacity Matters Max ID sizing with straight sided bowl configuration (non tapered sides). Tight corner radius design.
-----------------------------------	--

APPROVED FOR MANUFACTURING	
MODEL NO.: _____	QTY: _____
JOB NAME: _____	
TAG/ITEM: _____	
CUSTOMER: _____	
SIGNATURE: _____	



JUST MFG. COMPANY CONTINUES TO MAKE QUALITY AND FUNCTIONALITY A MARK OF THE JUST PRODUCT LINE. TO DO SO REQUIRES THAT WE RESERVE THE RIGHT TO CHANGE PRODUCT INFORMATION WITHOUT NOTICE. DIMENSIONS MAY VARY AND ARE SUBJECT TO CHANGE WITHOUT NOTICE. NO RESPONSIBILITY IS ASSUMED FOR USE OF SUPERCEDED OR VOIDED DATA. FOR THE MOST CURRENT AND ACCURATE INFORMATION REGARDING THE COMPLETE LINE OF JUST SINKS, FAUCETS AND DRAINS, CLICK ON THE **SPEC LINE DRAWINGS** LINK ON OUR WEB SITE AT www.justmfg.com

JUST MANUFACTURING COMPANY	9233 KING STREET . FRANKLIN PARK . ILLINOIS . 60131-2111
PH: 847-678-5150 . FAX: 847-678-6817 .	E-MAIL: custserv@justmfg.com . www.justmfg.com