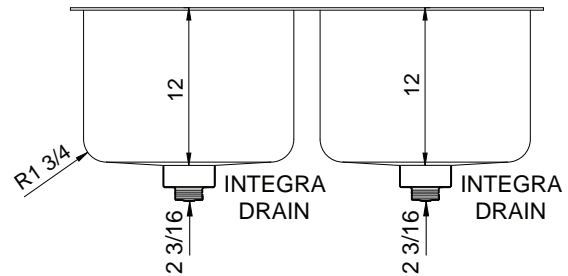
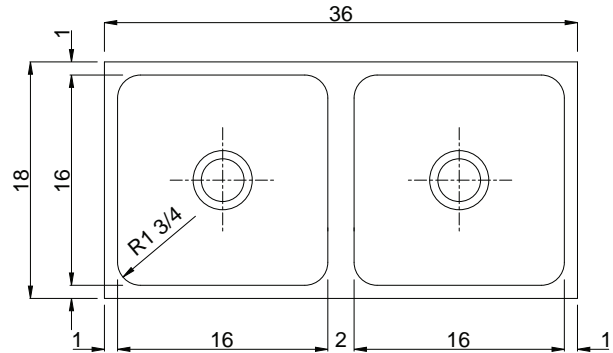




# UDXDN-1836-A

## INTEGRA GROUP INTEGRA DRAIN - DOUBLE BOWL EXTRA DEEP UNDERMOUNT - 18 GA.

SUBMITTAL DATA



**25.98**  
Gallon  
Capacity\*

**\*CAPACITY MATTERS**  
Max I.D. sizing with straight sided, non-tapered bowl configuration.  
Tight corner radius design.

### SPECIFICATION

Seamless die-drawn construction of 18 gauge type 304, 18-8 stainless steel. Interior and top surfaces polished to a non-porous Hand-Blended Just Finish. Fully coated underside insulates for sound, and reduces condensation. Straight-sided compartment with 1 3/4" radius corners provides greater capacity. Intgra-Drain integral drain system.



Integra Drain - seamlessly welded to sink creates integral drain in sink, without additional parts or rings. Reduces installation issues and leak potential. Includes basket strainer and 4" tailpiece.

### Product Options

-GB	Garbage disposal outlet	Left Bowl	Right Bowl
-----	-------------------------	-----------	------------

APPROVED FOR MANUFACTURING

MODEL NO.: **UDXDN-1836-A** QTY: \_\_\_\_\_

JOB NAME: \_\_\_\_\_

TAG/ITEM: \_\_\_\_\_

CUSTOMER: \_\_\_\_\_

SIGNATURE: \_\_\_\_\_



JUST MFG. COMPANY CONTINUES TO MAKE QUALITY AND FUNCTIONALITY A MARK OF THE JUST PRODUCT LINE. WE RESERVE THE RIGHT TO CHANGE PRODUCT INFORMATION WITHOUT NOTICE. DIMENSIONS MAY CHANGE AND MAY BE SUBJECT TO CHANGE WITHOUT NOTICE. NO RESPONSIBILITY IS ASSUMED FOR USE OF SUPERCEDED OR VOIDED DATA. JUST MFG. CO. SINKS ARE MADE IN THE U.S.A. WHEN COMPARING OTHER BRAND PRODUCTS, BE SURE TO COMPARE USA QUALITY ALONG WITH FEATURES AND DIMENSIONS.

**JUST MANUFACTURING COMPANY**

9233 KING STREET . FRANKLIN PARK . ILLINOIS . 60131-2111

PH: 847-678-5150 . FAX: 847-678-6817 . E-MAIL: [custserv@justmfg.com](mailto:custserv@justmfg.com) . [www.justmfg.com](http://www.justmfg.com)