



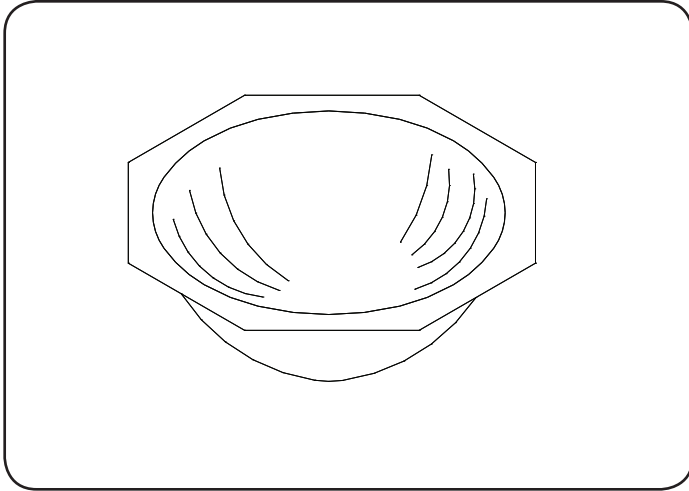
# UCIR-ADA-14

## LAVATORY GROUP

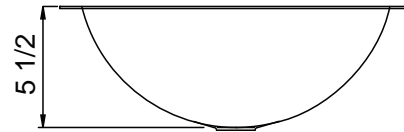
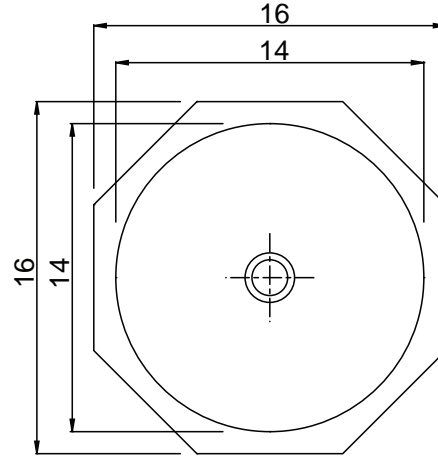
ADA COMPLIANT

UNDERMOUNT CIRCULAR LAVATORY

SUBMITTAL DATA



**ADA COMPLIANT**



OPENING FOR J-15 DRAIN

### SPECIFICATION

Seamless construction of 18 gauge, type 304 stainless steel. Interior and top flange to have a Hand-Blended Just Finish. Smooth, fully coated underside insulates for sound and reduces condensation. Drain punch for Just J-15-FS drain. Certified to ASME A112.19.3/CSA B45.5, Canadian Standards (CSA), Uniform Plumbing Code (UPC), International Plumbing Code (IPC), and Americans with Disabilities Act (ADA).

APPROVED FOR MANUFACTURING

MODEL NO.: UCIR-ADA-14 QTY: \_\_\_\_\_

JOB NAME: \_\_\_\_\_

TAG/ITEM: \_\_\_\_\_

CUSTOMER: \_\_\_\_\_

SIGNATURE: \_\_\_\_\_



JUST MFG. COMPANY CONTINUES TO MAKE QUALITY AND FUNCTIONALITY A MARK OF THE JUST PRODUCT LINE. TO DO SO REQUIRES THAT WE RESERVE THE RIGHT TO CHANGE PRODUCT INFORMATION WITHOUT NOTICE. DIMENSIONS MAY VARY AND ARE SUBJECT TO CHANGE WITHOUT NOTICE. NO RESPONSIBILITY IS ASSUMED FOR USE OF SUPERCEDED OR VOIDED DATA. FOR THE MOST CURRENT AND ACCURATE INFORMATION REGARDING THE COMPLETE LINE OF JUST SINKS, FAUCETS AND DRAINS, CLICK ON THE **SPEC LINE DRAWINGS** LINK ON OUR WEB SITE AT [www.justmfg.com](http://www.justmfg.com)

JUST MANUFACTURING COMPANY

9233 KING STREET . FRANKLIN PARK . ILLINOIS . 60131-2111

PH: 847-678-5150 . FAX: 847-678-6817 . E-MAIL: [custserv@justmfg.com](mailto:custserv@justmfg.com) . [www.justmfg.com](http://www.justmfg.com)