



UCIF-ADA-12

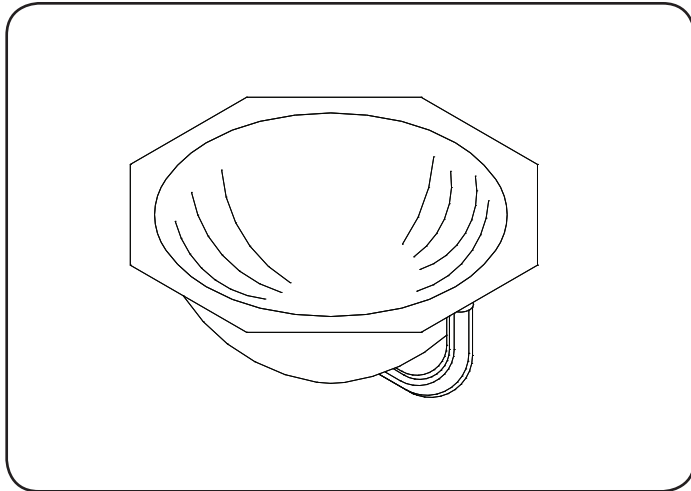
LAVATORY GROUP

ADA COMPLIANT

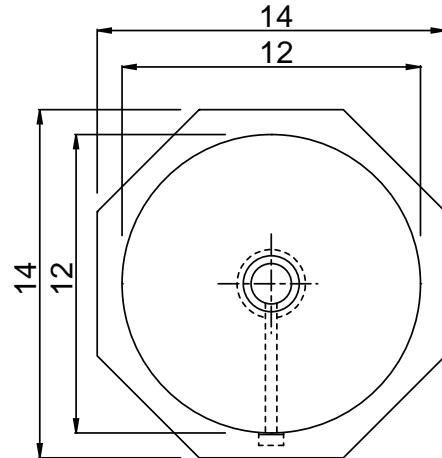
CIRCULAR LAVATORY

UNDERMOUNT - with OVERFLOW

SUBMITTAL DATA



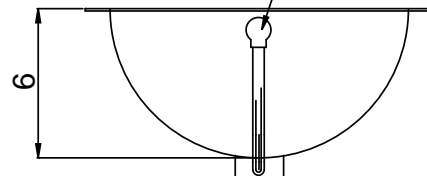
ADA COMPLIANT



SPECIFICATION

Seamless construction of 18 gauge, type 304 stainless steel. Interior and top flange to have a Hand-Blended Just Finish. Fully coated underside insulates for sound and reduces condensation. Conforms to ASME A112.19.3M. Drain punch for Just J-115-FS lavatory drain with overflow. Overflow fittings included.

FRONT MOUNTED
CONNECTED OVERFLOW



OPENING FOR
LAVATORY DRAIN

APPROVED FOR MANUFACTURING

MODEL NO.: UCIF-ADA-12 QTY: _____

JOB NAME: _____

TAG/ITEM: _____

CUSTOMER: _____

SIGNATURE: _____



JUST MFG. COMPANY CONTINUES TO MAKE QUALITY AND FUNCTIONALITY A MARK OF THE JUST PRODUCT LINE. TO DO SO REQUIRES THAT WE RESERVE THE RIGHT TO CHANGE PRODUCT INFORMATION WITHOUT NOTICE. DIMENSIONS MAY VARY AND ARE SUBJECT TO CHANGE WITHOUT NOTICE. NO RESPONSIBILITY IS ASSUMED FOR USE OF SUPERCEDED OR VOIDED DATA. FOR THE MOST CURRENT AND ACCURATE INFORMATION REGARDING THE COMPLETE LINE OF JUST SINKS, FAUCETS AND DRAINS, CLICK ON THE **SPEC LINE DRAWINGS** LINK ON OUR WEB SITE AT www.justmfg.com

JUST MANUFACTURING COMPANY

9233 KING STREET . FRANKLIN PARK . ILLINOIS . 60131-2111

PH: 847-678-5150 . FAX: 847-678-6817 . E-MAIL: custserv@justmfg.com . www.justmfg.com