



TST-48

INSTITUTIONAL GROUP ISLAND SINK TOP with SERVICE TURRET

SUBMITTAL DATA



TST-48 SPECIFICATION

Seamless welded construction. Top and bowls of 16 gauge type 304 stainless steel. Turret with removeable cap of 16 ga. stainless steel. Standard understructural braces of 16 ga. mild steel. Exposed surfaces to have Hand Blended Just finish. Wide wood framing around perimeter. Fully coated underside insulates for sound and reduces condensation. Drains punched for Just J-35 drain.

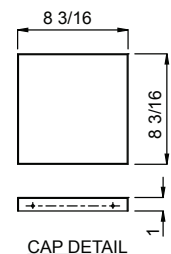
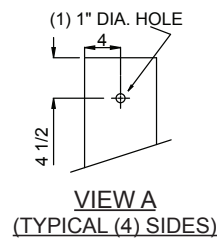
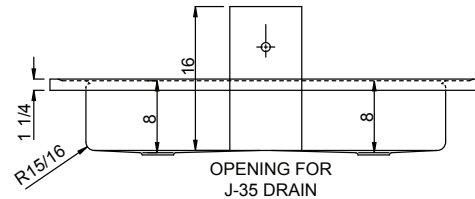
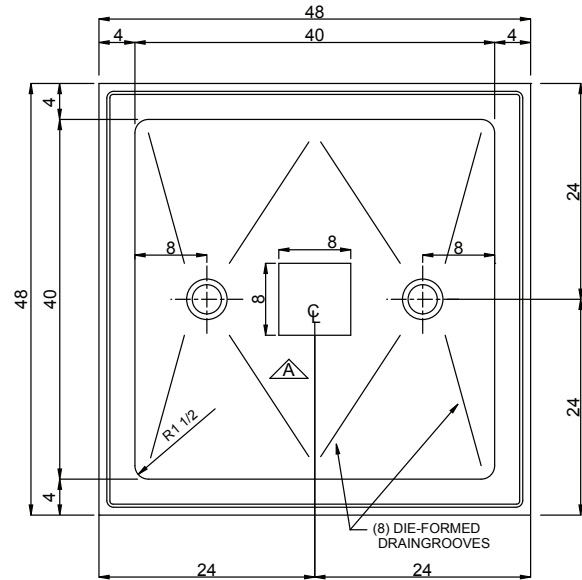
INCLUDES:

JFVC-301 floor mounted dual pedal operated self closing foot valves. 1/2" inlets on 1-1/4" centers. Polished chrome pedals with rough chrome valve body. 1/2" outlet. Includes JS-10 wall-mounted spout.

JS-10 Spout - backsplash mount, chrome plated rigid goose-neck with aerator.

J-35-SSF Drain

Type 304 stainless steel drainbody, flat strainer and 1-1/2" O.D. tailpiece (4" long).



APPROVED FOR MANUFACTURING	
MODEL NO.:	TST-48
QTY.:	
JOB NAME:	
TAG/ITEM:	
CUSTOMER:	
SIGNATURE:	



JUST MFG. COMPANY CONTINUES TO MAKE QUALITY AND FUNCTIONALITY A MARK OF THE JUST PRODUCT LINE. TO DO SO REQUIRES THAT WE RESERVE THE RIGHT TO CHANGE PRODUCT INFORMATION WITHOUT NOTICE. DIMENSIONS MAY VARY AND ARE SUBJECT TO CHANGE WITHOUT NOTICE. NO RESPONSIBILITY IS ASSUMED FOR USE OF SUPERCEDED OR VOIDED DATA. FOR THE MOST CURRENT AND ACCURATE INFORMATION REGARDING THE COMPLETE LINE OF JUST SINKS, FAUCETS AND DRAINS, CLICK ON THE **SPEC LINE DRAWINGS** LINK ON OUR WEB SITE AT www.justmfg.com

JUST MANUFACTURING COMPANY

9233 KING STREET . FRANKLIN PARK . ILLINOIS . 60131-2111

PH: 847-678-5150 . FAX: 847-678-6817 . E-MAIL: custserv@justmfg.com . www.justmfg.com



TST-48

INSTITUTIONAL GROUP
ISLAND SINK TOP
 with SERVICE TURRET

SUBMITTAL DATA

