



TLN-2264-A-GR

INTEGRA GROUP

INTEGRA DRAIN - TRIPLE BOWL

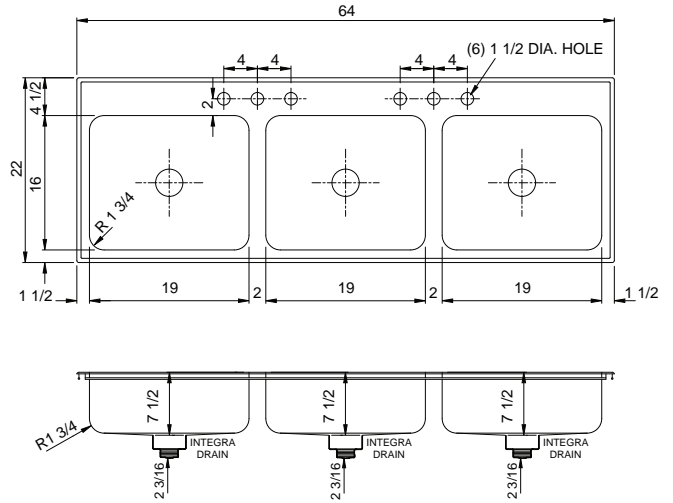
LEDGE TYPE - 18 GA.

SUBMITTAL DATA



28.80
Gallon Capacity*

***CAPACITY MATTERS**
Max I.D. sizing with straight sided, non-tapered bowl configuration. Tight corner radius design.



SPECIFICATION

Seamless die-drawn construction of 18 gauge type 304, 18-8 stainless steel. Interior and top surfaces polished to a non-porous Hand-Blended Just Finish. Fully coated underside insulates for sound, and reduces condensation. Straight-sided compartment with 1 3/4" radius corners provides greater capacity. Self-rimming top mount Grip-Rim Plus with stainless steel mounting channels. Integra-Drain integral drain system.



Integra Drain - seamlessly die drawn; eliminating seam in sink bottom, resulting in a hygienic surface. No additional parts or rings. Reduces installation issues and leak potential. Includes basket strainer and tailpiece. Flat grid available in place of basket, specify I-SSF option.

FAUCET PUNCHING MUST BE SPECIFIED		
(1) Hole - Centered		Over each bowl
(2) Holes - 4" centers		Over each partition (illustrated)
(3) holes - 4" centers (illustrated)		Over center bowl only
Alternate Punching:		
Faucet Model:		
Punching Required:		

Product Options				
-GB	Garbage disposal outlet	Left Bowl	Center Bowl	Right Bowl

CUTOUT DIMENSIONS		
Model Number	Front-to-Back	Left-to-Right
TLN-2264-A-GR	21-1/4	63-1/4

* Cutout dimensions shown (Front-to-Back) x (Left-to-Right) - corners may be square or up to 1/2" radius.

APPROVED FOR MANUFACTURING

MODEL NO.: **TLN-2264-A-GR** QTY: _____

JOB NAME: _____

TAG/ITEM: _____

CUSTOMER: _____

SIGNATURE: _____



JUST MFG. COMPANY CONTINUES TO MAKE QUALITY AND FUNCTIONALITY A MARK OF THE JUST PRODUCT LINE. WE RESERVE THE RIGHT TO CHANGE PRODUCT INFORMATION WITHOUT NOTICE. DIMENSIONS MAY CHANGE AND MAY BE SUBJECT TO CHANGE WITHOUT NOTICE. NO RESPONSIBILITY IS ASSUMED FOR USE OF SUPERCEDED OR VOIDED DATA. JUST MFG. CO. SINKS ARE MADE IN THE U.S.A. WHEN COMPARING OTHER BRAND PRODUCTS, BE SURE TO COMPARE USA QUALITY ALONG WITH FEATURES AND DIMENSIONS.

JUST MANUFACTURING COMPANY 9233 KING STREET . FRANKLIN PARK . ILLINOIS . 60131-2111
 PH: 847-678-5150 . FAX: 847-678-6817 . E-MAIL: custserv@justmfg.com . www.justmfg.com