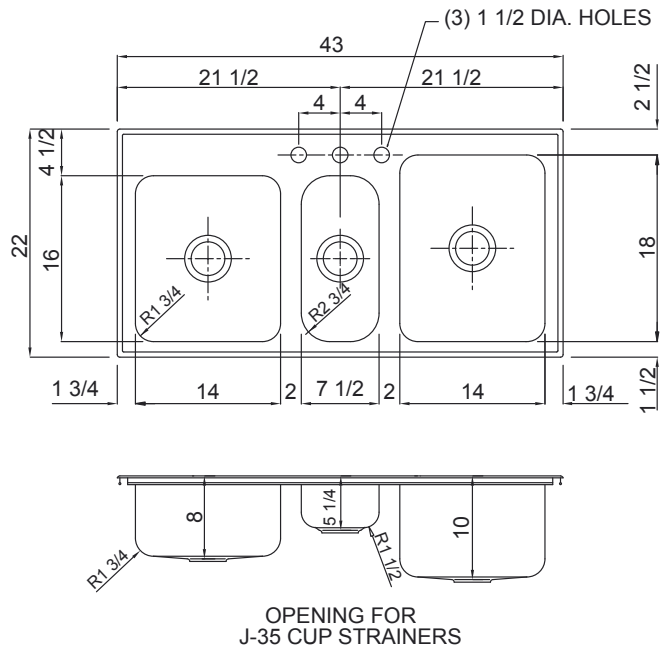
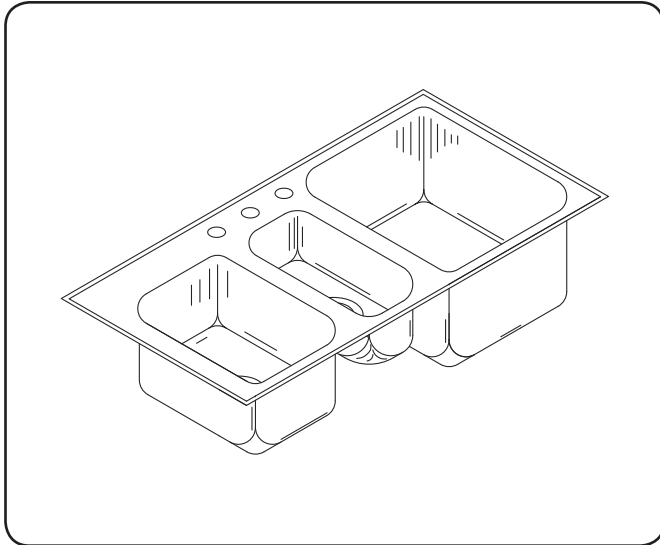




TEQM-2243-A-GR-R - 18 GA.

FUNCTIONAL GROUP TRIP-L-EASE SINK

SUBMITTAL DATA



CUTOUT DIMENSIONS

Model Number	Front-to-Back	Left-to-Right
TEQM-2243-A-GR-R	21-1/4	42-1/4

19.88

Gallon
Capacity

Capacity Matters

Max ID sizing with straight sided bowl configuration (non tapered sides). Tight corner radius design.

To Be Specified:

■ Faucet Hole Punching:

- (1) Hole Centered (center bowl)
- (2) Holes on 4" centers
- (2) Holes on 8" centers
- (3) Holes on 4" centers (illustrated)
- (4) Holes on 4" centers (4th hole to the right of center)

Alternate Punching:
Faucet Model: _____

Punching required: _____

Job Name _____
Customer _____
Architect/Engineer _____
APPROVED FOR MANUFACTURING
MODEL NO. <u>TEQM-2243-A-GR-R</u> QTY. _____
COMPANY _____
TITLE _____ DATE _____
SIGNATURE _____



JUST MFG. COMPANY CONTINUES TO MAKE QUALITY AND FUNCTIONALITY A MARK OF THE JUST PRODUCT LINE. TO DO SO REQUIRES THAT WE RESERVE THE RIGHT TO CHANGE PRODUCT INFORMATION WITHOUT NOTICE. DIMENSIONS MAY VARY AND ARE SUBJECT TO CHANGE WITHOUT NOTICE. NO RESPONSIBILITY IS ASSUMED FOR USE OF SUPERCEDED OR VOIDED DATA. FOR THE MOST CURRENT AND ACCURATE INFORMATION REGARDING THE COMPLETE LINE OF JUST SINKS, FAUCETS AND DRAINS, CLICK ON THE **SPEC LINE DRAWINGS** LINK ON OUR WEB SITE AT www.justmfg.com

JUST MANUFACTURING COMPANY

9233 KING STREET . FRANKLIN PARK . ILLINOIS . 60131-2111

PH: 847-678-5150 . FAX: 847-678-6817 . E-MAIL: custserv@justmfg.com . www.justmfg.com