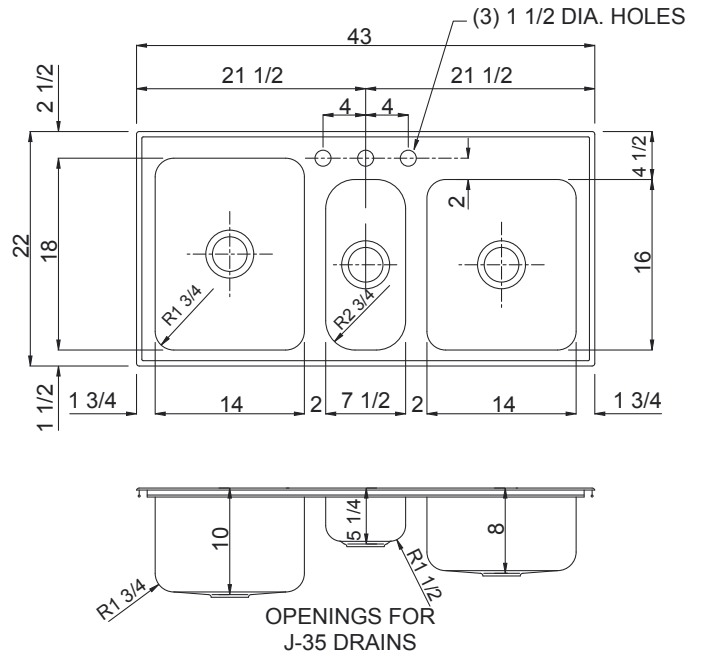
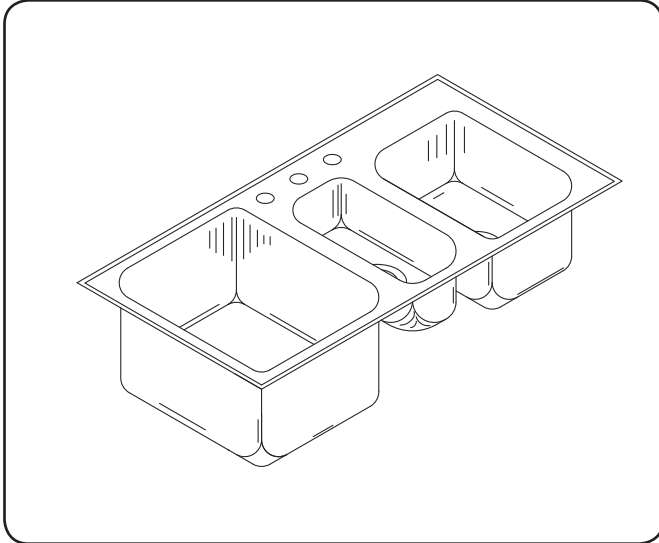




TEQM-2243-A-GR-L - 18 GA.

FUNCTIONAL GROUP TRIP-L-EASE SINK

SUBMITTAL DATA



CUTOUT DIMENSIONS		
Model Number	Front-to-Back	Left-to-Right
TEQM-2243-A-GR-L	21-1/4	42-1/4

19.88 Gallon Capacity

Capacity Matters
Max ID sizing with straight sided bowl configuration (non tapered sides). Tight corner radius design.

Job Name _____

Customer _____

Architect/Engineer _____

APPROVED FOR MANUFACTURING

MODEL NO. TEQM-2243-A-GR-L QTY. _____

COMPANY _____

TITLE _____ DATE _____

SIGNATURE _____

To Be Specified:

■ **Faucet Hole Punching:**

<input type="checkbox"/> (1) Hole Centered (center bowl)	
<input type="checkbox"/> (2) Holes on 4" centers	
<input type="checkbox"/> (2) Holes on 8" centers	
<input type="checkbox"/> (3) Holes on 4" centers (illustrated)	
<input type="checkbox"/> (4) Holes on 4" centers (4th hole to the right of center)	
<input type="checkbox"/> Alternate Punching: Faucet Model: _____	Punching required: _____



JUST MFG. COMPANY CONTINUES TO MAKE QUALITY AND FUNCTIONALITY A MARK OF THE JUST PRODUCT LINE. TO DO SO REQUIRES THAT WE RESERVE THE RIGHT TO CHANGE PRODUCT INFORMATION WITHOUT NOTICE. DIMENSIONS MAY VARY AND ARE SUBJECT TO CHANGE WITHOUT NOTICE. NO RESPONSIBILITY IS ASSUMED FOR USE OF SUPERCEDED OR VOIDED DATA. FOR THE MOST CURRENT AND ACCURATE INFORMATION REGARDING THE COMPLETE LINE OF JUST SINKS, FAUCETS AND DRAINS, CLICK ON THE **SPEC LINE DRAWINGS** LINK ON OUR WEB SITE AT www.justmfg.com