



SLXN-1921-A-GR

INTEGRA GROUP INTEGRA DRAIN - SINGLE BOWL DEEP - LEDGE TYPE 18 GA.

SUBMITTAL DATA



7.92
Gallon
Capacity*

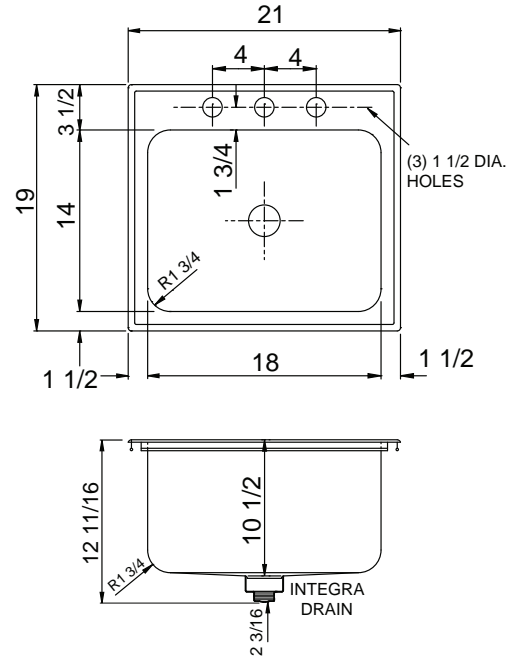
***CAPACITY MATTERS**
Max I.D. sizing with straight sided, non-tapered bowl configuration.
Tight corner radius design.

SPECIFICATION

Seamless die-drawn construction of 18 gauge type 304, 18-8 stainless steel. Interior and top surfaces polished to a non-porous Hand-Blended Just Finish. Fully coated underside insulates for sound, and reduces condensation. Straight-sided compartment with 1 3/4" radius corners provides greater capacity. Self-rimming top mount Grip-Rim Plus with stainless steel mounting channels. Integra-Drain integral drain system.



Integra Drain - seamlessly welded to sink creates integral drain in sink, without additional parts or rings. Reduces installation issues and leak potential. Includes basket strainer and tailpiece.



To Be Specified:	
<input checked="" type="checkbox"/> Faucet Hole Punching:	
<input type="checkbox"/> (1) Hole Centered	
<input type="checkbox"/> (2) Holes on 4" centers	
<input type="checkbox"/> (3) Holes on 4" centers (illustrated)	
<input type="checkbox"/> Alternate Punching: Faucet Model:	Punching required:

Product Options	
-GB	Garbage disposal outlet

CUTOUT DIMENSIONS		
Model Number	Front-to-Back	Left-to-Right
SLXN-1921-A-GR	18-1/4	20-1/4

* Cutout dimensions shown (Front-to-Back) x (Left-to-Right) - corners may be square or up to 1/2" radius.

APPROVED FOR MANUFACTURING

MODEL NO.: **SLXN-1921-A-GR** QTY: _____

JOB NAME: _____

TAG/ITEM: _____

CUSTOMER: _____

SIGNATURE: _____



JUST MFG. COMPANY CONTINUES TO MAKE QUALITY AND FUNCTIONALITY A MARK OF THE JUST PRODUCT LINE. WE RESERVE THE RIGHT TO CHANGE PRODUCT INFORMATION WITHOUT NOTICE. DIMENSIONS MAY CHANGE AND MAY BE SUBJECT TO CHANGE WITHOUT NOTICE. NO RESPONSIBILITY IS ASSUMED FOR USE OF SUPERCEDED OR VOIDED DATA. JUST MFG. CO. SINKS ARE MADE IN THE U.S.A. WHEN COMPARING OTHER BRAND PRODUCTS, BE SURE TO COMPARE USA QUALITY ALONG WITH FEATURES AND DIMENSIONS.

JUST MANUFACTURING COMPANY 9233 KING STREET . FRANKLIN PARK . ILLINOIS . 60131-2111
 PH: 847-678-5150 . FAX: 847-678-6817 . E-MAIL: custserv@justmfg.com . www.justmfg.com