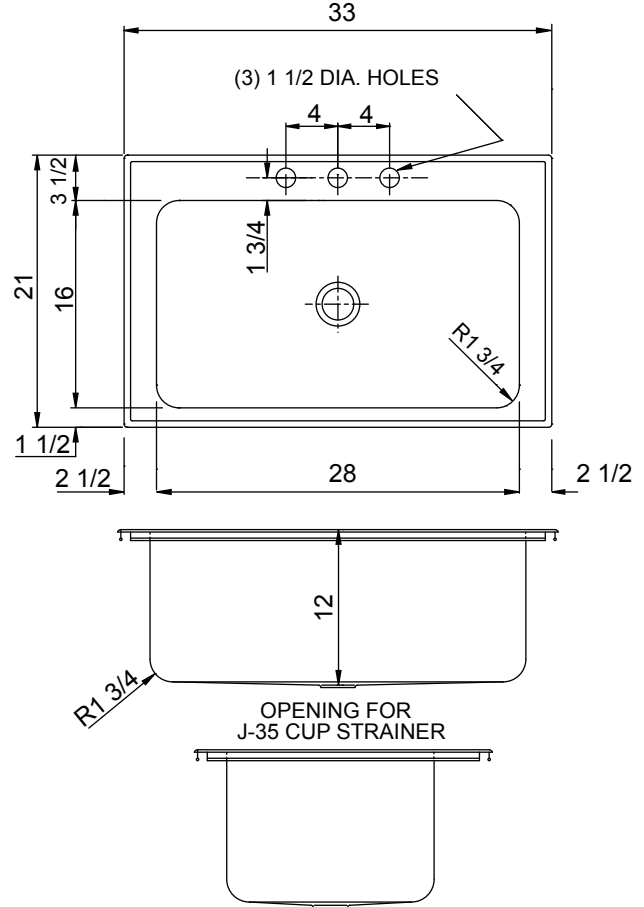
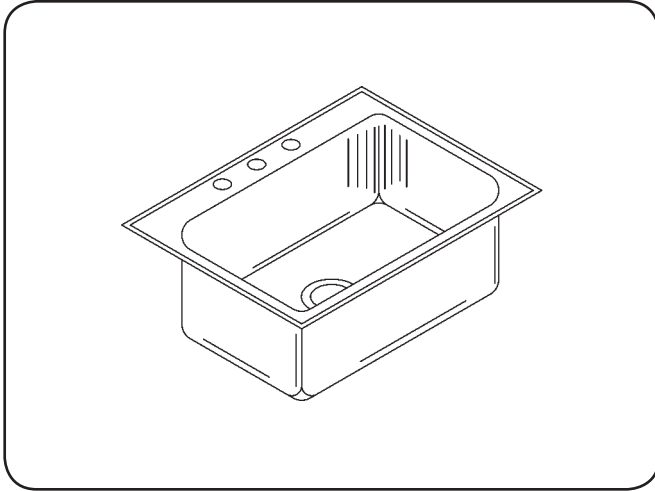




# SLXD-2133-A-GR

## STYLIST GROUP LEDGE TYPE - EXTRA DEEP 18 GAUGE



### SPECIFICATION

Seamless die-drawn construction of 18 gauge type 304, 18-8 stainless steel. Interior and top surfaces polished to a non-porous Hand-Blended Just Finish with highlighted bowl rim. Fully coated underside insulates for sound, and reduces condensation. Maximum capacity straight-sided compartment with  $1\frac{3}{4}$ " radius corners provides greater capacity. Self-rimming top mount Grip-Rim Plus with stainless steel mounting channels. Conforms to ASME/ANSI A112.19.3M. Drain punch #35 centered for Just J-35 unless otherwise specified.

**TYPE 316 STAINLESS STEEL** (Check if applicable)

**22.90**  
Gallon  
Capacity

### Capacity Matters

Max ID sizing with straight sided bowl configuration (non tapered sides). Tight corner radius design.

CUTOUT DIMENSIONS		
Model Number	Front-to-Back	Left-to-Right
SLXD-2133-A-GR	20-1/4	32-1/4

FAUCET PUNCHING - MUST BE SPECIFIED	
<input type="checkbox"/> (1) Hole Centered	
<input type="checkbox"/> (2) Holes on 4" centers	
<input type="checkbox"/> (3) Holes on 4" centers (illustrated)	
<input type="checkbox"/> Alternate Punching: Faucet Model: <input type="checkbox"/> <input type="checkbox"/>	Punching Required:

APPROVED FOR MANUFACTURING

MODEL NO.: \_\_\_\_\_ QTY: \_\_\_\_\_

JOB NAME: \_\_\_\_\_

TAG/ITEM: \_\_\_\_\_

CUSTOMER: \_\_\_\_\_

SIGNATURE: \_\_\_\_\_



JUST MFG. COMPANY CONTINUES TO MAKE QUALITY AND FUNCTIONALITY A MARK OF THE JUST PRODUCT LINE. TO DO SO REQUIRES THAT WE RESERVE THE RIGHT TO CHANGE PRODUCT INFORMATION WITHOUT NOTICE. DIMENSIONS MAY VARY AND ARE SUBJECT TO CHANGE WITHOUT NOTICE. NO RESPONSIBILITY IS ASSUMED FOR USE OF SUPERSEDED OR VOIDED DATA. FOR THE MOST CURRENT AND ACCURATE INFORMATION REGARDING THE COMPLETE LINE OF JUST SINKS, FAUCETS AND DRAINS, CLICK ON THE **SPEC LINE DRAWINGS** LINK ON OUR WEB SITE AT [www.justmfg.com](http://www.justmfg.com)

JUST MANUFACTURING COMPANY

9233 KING STREET . FRANKLIN PARK . ILLINOIS . 60131-2111

PH: 847-678-5150 . FAX: 847-678-6817 . E-MAIL: [custserv@justmfg.com](mailto:custserv@justmfg.com) . [www.justmfg.com](http://www.justmfg.com)