



SLN-ADA-1921-A-GR

INTEGRA GROUP ADA COMPLIANT INTEGRA DRAIN - SINGLE BOWL LEDGE TYPE - 18 GA.



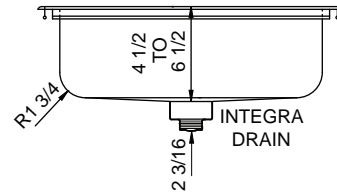
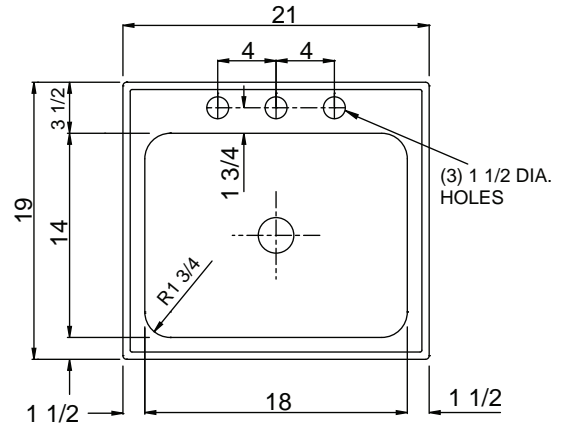
6.85
Gallon
Capacity*

***CAPACITY MATTERS**
Max I.D. sizing with straight sided, non-tapered bowl configuration. Tight corner radius design. Capacity based on 6-1/2" bowl depth.

Seamless die-drawn construction of 18 gauge type 304 stainless steel. Interior and top surfaces satin blended No. 4 finish. Fully coated under-side insulates for sound and reduces condensation. Straight sided compartment with 1-3/4" radius corners provides greater capacity. Self-rimming top mount with Grip-Rim Plus with stainless steel mounting channels. DIntegra Drain integral drain system.



Integra Drain - seamlessly die drawn; eliminating seam in sink bottom, resulting in a hygienic surface. No additional parts or rings. Reduces installation issues and leak potential. Includes basket strainer and tailpiece. Flat grid available in place of basket, specify I-SSF option.



To Be Specified:

■ **Faucet Hole Punching:**

<input type="checkbox"/> (1) Hole Centered	
<input type="checkbox"/> (2) Holes on 4" centers	
<input type="checkbox"/> (3) Holes on 4" centers (illustrated)	
<input type="checkbox"/> Alternate Punching: Faucet Model:	Punching required:

DEPTH - MUST BE SPECIFIED:

<input type="checkbox"/> 4-1/2" DEEP	<input type="checkbox"/> 5" DEEP	<input type="checkbox"/> 5-1/2" DEEP	<input type="checkbox"/> 6" DEEP	<input type="checkbox"/> 6-1/2" DEEP
--------------------------------------	----------------------------------	--------------------------------------	----------------------------------	--------------------------------------

CUTOUT DIMENSIONS		
Model Number	Front-to-Back	Left-to-Right
SLN-1921-A-GR	18-1/4	20-1/4

* Cutout dimensions shown (Front-to-Back) x (Left-to-Right) - corners may be square or up to 1/2" radius.

Product Options	
I-SSF	Integra St. Stl. Flat Grid
-GB	Garbage disposal outlet ¹

¹DISPOSER SINKS DISCLAIMER NOTE:

Just Integra Drain sinks are designed for compatible disposers manufactured by InSinkErator® which utilizes the Quick Lock® mounting system. Use of other disposers may void the Just warranty.
InSinkErator® and Quick Lock® are trademarks of Emerson Electric Co.



JUST MFG. COMPANY CONTINUES TO MAKE QUALITY AND FUNCTIONALITY A MARK OF THE JUST PRODUCT LINE. WE RESERVE THE RIGHT TO CHANGE PRODUCT INFORMATION WITHOUT NOTICE. DIMENSIONS MAY CHANGE AND MAY BE SUBJECT TO CHANGE WITHOUT NOTICE. NO RESPONSIBILITY IS ASSUMED FOR USE OF SUPERCEDED OR VOIDED DATA. JUST MFG. CO. SINKS ARE MADE IN THE U.S.A. ALONG WITH FEATURES AND DIMENSIONS.

APPROVED FOR MANUFACTURING

MODEL NO.: **SLN-ADA-1921-A-GR** QTY: _____

JOB NAME: _____

TAG/ITEM: _____

CUSTOMER: _____

SIGNATURE: _____

JUST MANUFACTURING COMPANY 9233 KING STREET . FRANKLIN PARK . ILLINOIS . 60131-2111
PH: 847-678-5150 . FAX: 847-678-6817 . E-MAIL: custserv@justmfg.com . www.justmfg.com