



INSERT GROUP

SPECIFICATION

Seamless die-drawn construction of Type 304, 18-8 stainless steel. Interior and top surfaces polished to a non-porous Hand-Blended Just Finish with highlighted bowl rim. Fully coated underside insulated for sound and reduces condensation. Straight-sided compartment with radius corners provides greater capacity. Self-rimming top mount Grip-Rim Plus with stainless steel mounting channels. Conforms to ASME/ANSI A112.19.3M. Certified conformance with ASME A112.19.3/CSA B45.4, Canadian Standards (CSA), Uniform Plumbing Code (UPC) and International Plumbing Code (IPC). Drain punch 3-1/2" centered for Just J-35.

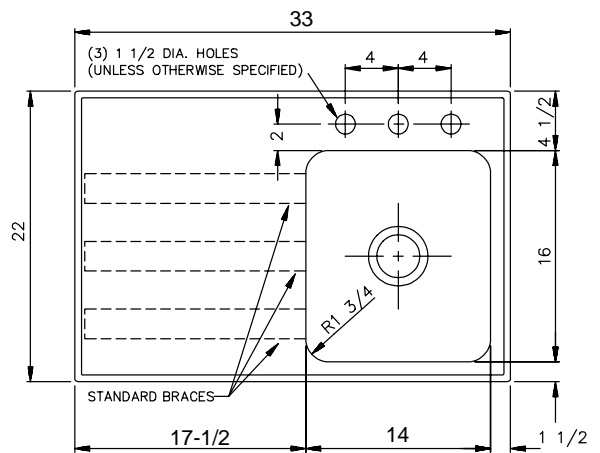
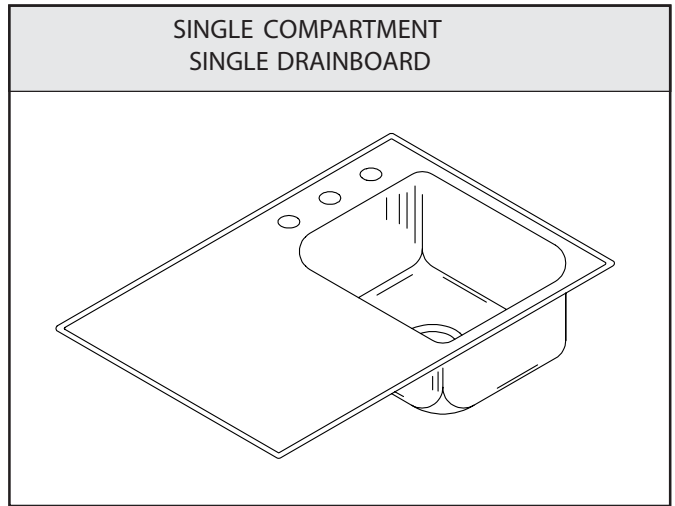
To be specified:

- Faucet hole punching:
 - (1) Hole Centered
 - (2) Holes on 4" centers
 - (3) Holes on 4" centers (illustrated)
 - (4) Holes
- Alternate Punching:
 - Faucet Model: _____
 - Punching required: _____

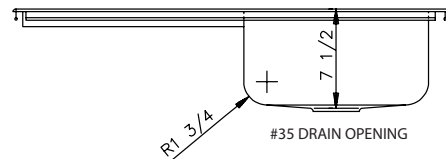
| CUTOUT DIMENSIONS | | |
|-------------------|---------------|---------------|
| Model Number | Front-to-Back | Left-to-Right |
| SI-1433-A-GR-L | 21-1/4 | 32-1/4 |



SI-1433-A-GR-L - 18 GA.



DRAIN BOARD IS FLAT NOT SLANTED TO DRAIN



7.03 Gallon Capacity **Capacity Matters**
 Max ID sizing with straight sided bowl configuration (non tapered sides). Tight corner radius design.

FUNCTIONAL DESIGN, QUALITY, AND SPECIFICATIONS LISTED DESCRIBE THE JUST STANDARD OF QUALITY. WHEN MAKING COMPARISONS WITH OTHER OFFERINGS, INSIST ON THE JUST QUALITY OF CONSTRUCTION. FOR ADDITIONAL INFORMATION REGARDING THE COMPLETE LINE OF JUST SINKS, FAUCETS AND DRAINS, VISIT OUR WEB SITE AT www.justmfg.com

Job Name _____
 Customer _____
 Architect/Engineer _____

APPROVED FOR MANUFACTURING

MODEL NO. _____ QTY. _____
 COMPANY _____
 TITLE _____ DATE _____
 SIGNATURE _____

SUBMITTAL DATA

REVISED 6/2004