

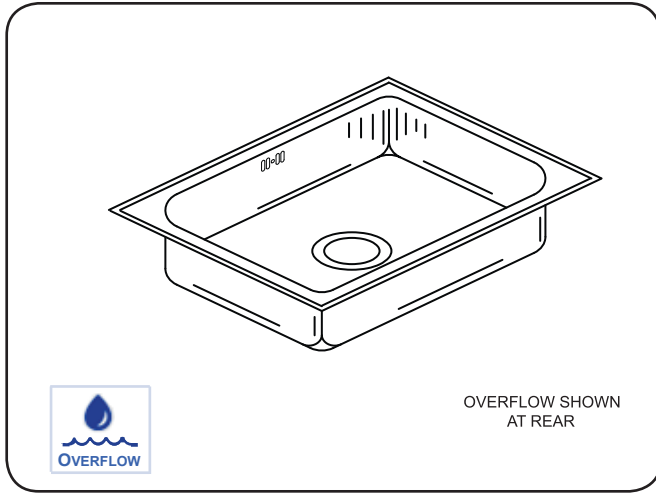


# SF-1919-A-GR

## STYLIST GROUP

### SINGLE COMPARTMENT - NON-LEDGEBACK with INTEGRA-FLOW

SUBMITTAL DATA



OVERFLOW SHOWN  
AT REAR

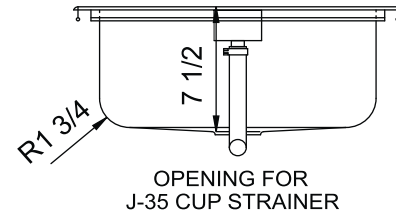
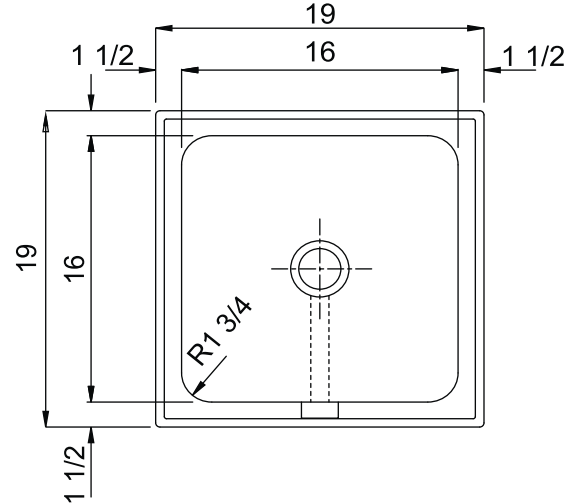
**6.34**  
Gallon  
Capacity\*

**\*CAPACITY MATTERS**

Max. I.D. sizing with straight-sided, non-tapered bowl configuration. Tight corner radius design.

**SPECIFICATION**

Seamless die-drawn construction of 18 ga. type 304 stainless steel. Interior and top surfaces polished to a non-porous Hand Blended Just Finish. Fully coated underside insulates for sound and reduces condensation. Straight-sided compartment with 1-3/4" radius corners provides greater capacity. Self-rimming top mount with Grip-Rim Plus, with stainless steel mounting channels. Integra-flow overflow system. Drain punched for Just J-35-SSF drain. Certified to ASME A112.19.3/CSA B45.4; UPC; IPC.



OPENING FOR  
J-35 CUP STRAINER

**TYPE 316 STAINLESS STEEL** (Check if applicable)

| CUTOUT DIMENSIONS |               |               |
|-------------------|---------------|---------------|
| Model Number      | Front-to-Back | Left-to-Right |
| SF-1919-A-GR      | 18-1/4        | 18-1/4        |

| OVERFLOW LOCATION MUST BE SPECIFIED:   |                               |                               |                                |
|--|-------------------------------|-------------------------------|--------------------------------|
| <input type="checkbox"/> FRONT (SHOWN) | <input type="checkbox"/> REAR | <input type="checkbox"/> LEFT | <input type="checkbox"/> RIGHT |

APPROVED FOR MANUFACTURING

MODEL NO.: **SF-1919-A-GR** QTY: \_\_\_\_\_

JOB NAME: \_\_\_\_\_

TAG/ITEM: \_\_\_\_\_

CUSTOMER: \_\_\_\_\_

SIGNATURE: \_\_\_\_\_



Sink certified to ASME A112.19.3/CSA B45.4; Uniform Plumbing Code (UPC); International Plumbing Code (IPC), by NSF International. Certified with/without overflow, less fittings.



JUST MFG. COMPANY CONTINUES TO MAKE QUALITY AND FUNCTIONALITY A MARK OF THE JUST PRODUCT LINE. WE RESERVE THE RIGHT TO CHANGE PRODUCT INFORMATION WITHOUT NOTICE. DIMENSIONS MAY CHANGE AND MAY BE SUBJECT TO CHANGE WITHOUT NOTICE. NO RESPONSIBILITY IS ASSUMED FOR USE OF SUPERCEDED OR VOIDED DATA. JUST MFG. CO. SINKS ARE MADE IN THE U.S.A. WHEN COMPARING OTHER BRAND PRODUCTS, BE SURE TO COMPARE USA QUALITY ALONG WITH FEATURES AND DIMENSIONS.

**JUST MANUFACTURING COMPANY**      9233 KING STREET . FRANKLIN PARK . ILLINOIS . 60131-2111

PH: 847-678-5150    FAX: 847-678-6817    E-MAIL: [custserv@justmfg.com](mailto:custserv@justmfg.com)    [www.justmfg.com](http://www.justmfg.com)