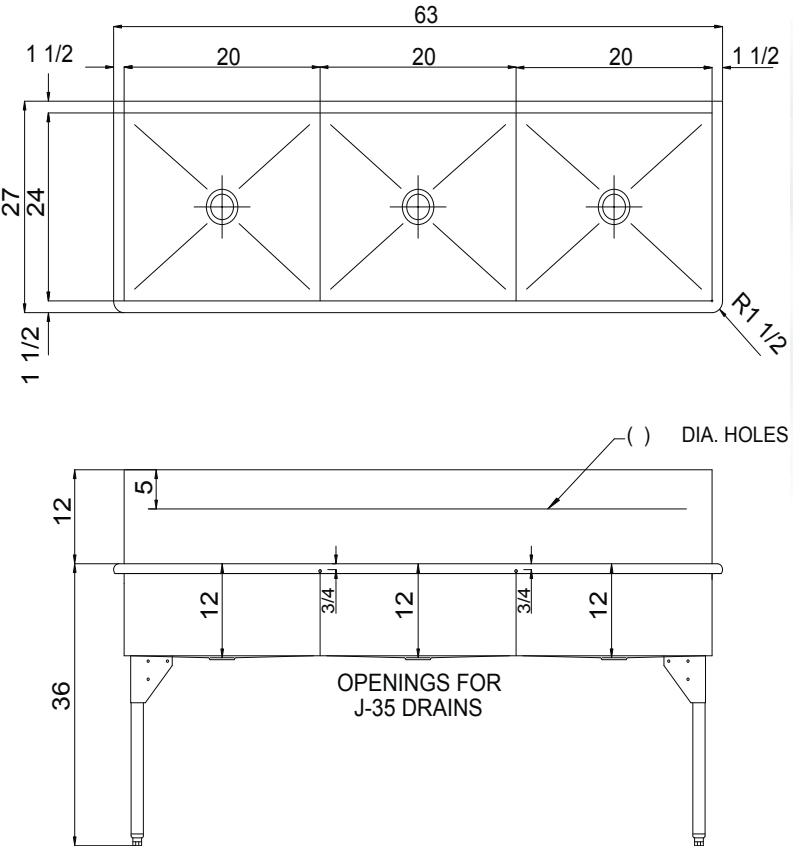




INSTITUTIONAL GROUP

**SB-360 (12/12)
THREE COMPARTMENT
SQUARE CORNER -NO DRAINBOARD**

SUBMITTAL DATA



Models listed above will be fabricated based on the detail shown here. Standard depth is 12", standard backsplash height is 12", for other sizes, specify requirements. Custom size units will be based on the above drawing, modified as required.

70.11 **Capacity Matters**
Gallon Capacity
Max ID sizing with straight sided bowl configuration (non tapered sides). Tight corner radius design.

SPECIFICATION

Constructed of 14 gauge type 304, 18-8 stainless steel. Interior surfaces polished with a non-porous Hand-Blended Just Finish. Exposed exterior surfaces to have a brush finish. Supported on (4) 1 5/8 O.D. stainless steel tubular legs with stainless steel angle gussets and adjustable bullet feet. Drain punch #35 centered for Just J-35 unless otherwise specified.

To be specified :

Faucet hole punching:
 Over partitions(entered)
 Over each Compartment (entered)

Holes punched at each location:
 (1) Hole Centered
 (2) Holes on 8" centers
 (3) Holes on 4 "centers

Alternate Punching:
 Faucet Model: _____
 Punching required: _____

Standard
Depth - 12" Backsplash ht-12"
 (Water level 11-1/4")

Alternate sizing
 8" backsplash / 14" depth
 _____ backsplash
 _____ depth

FUNCTIONAL DESIGN, QUALITY, AND SPECIFICATIONS LISTED DESCRIBE THE JUST STANDARD OF QUALITY. WHEN MAKING COMPARISONS WITH OTHER OFFERINGS, INSIST ON THE JUST QUALITY OF CONSTRUCTION. FOR ADDITIONAL INFORMATION REGARDING THE COMPLETE LINE OF **JUST** SINKS, FAUCETS AND DRAINS, VISIT OUR WEB SITE AT www.justmfg.com

Job Name _____
 Customer _____
 Architect/Engineer _____

APPROVED FOR MANUFACTURING

MODEL NO. SB-360 QTY. _____
 COMPANY _____
 TITLE _____ DATE _____
 SIGNATURE _____

REVISED-5/2004

JUST MANUFACTURING COMPANY 9233 KING STREET . FRANKLIN PARK . ILLINOIS . 60131-2111
 PH: 847-678-5150 . FAX: 847-678-6817 . E-MAIL: custserv@justmfg.com . www.justmfg.com