

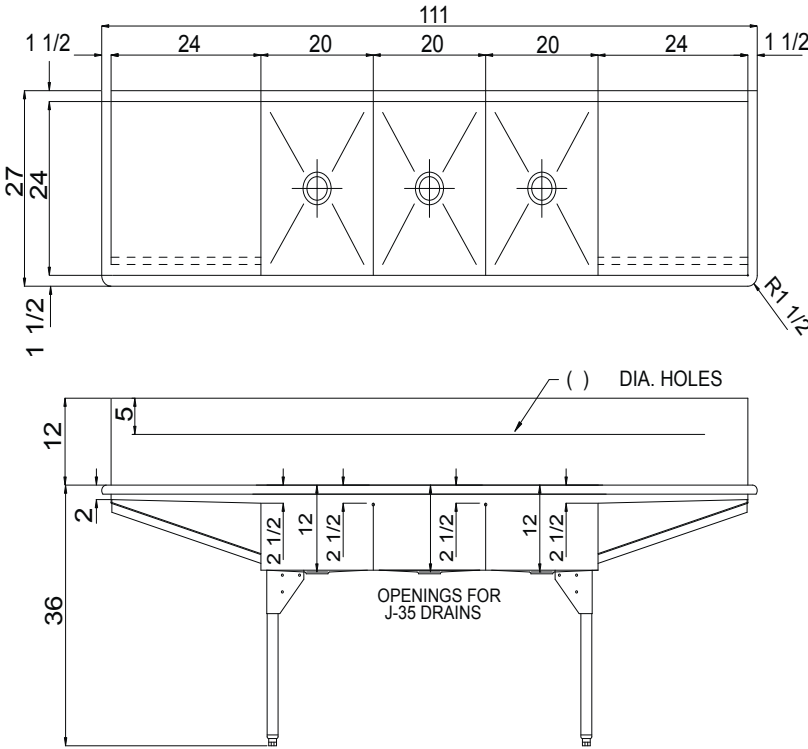


INSTITUTIONAL GROUP

SB-360-24RL (12/12)

**THREE COMPARTMENT
SQUARE CORNER
TWO DRAINBOARDS - RIGHT/LEFT**

SUBMITTAL DATA



Models listed above will be fabricated based on the detail shown here. Standard depth is 12", standard backsplash height is 12", for other sizes, specify requirements. Custom size units will be based on the above drawing, modified as required.

59.22
Gallon
Capacity

Capacity Matters

Max ID sizing with straight sided bowl configuration (non tapered sides). Tight corner radius design.

SPECIFICATION

Constructed of 14 gauge type 304, 18-8 stainless steel. Interior surfaces polished with a non-porous Hand-Blended Just Finish. Exposed exterior surfaces to have a brush finish. Supported on (4) 1 5/8 O.D. stainless steel tubular legs with stainless steel angle gussets and adjustable bullet feet. Drain punch #35 centered for Just J-35 unless otherwise specified.

FUNCTIONAL DESIGN, QUALITY, AND SPECIFICATIONS LISTED DESCRIBE THE JUST STANDARD OF QUALITY. WHEN MAKING COMPARISONS WITH OTHER OFFERINGS, INSIST ON THE JUST QUALITY OF CONSTRUCTION. FOR ADDITIONAL INFORMATION REGARDING THE COMPLETE LINE OF **JUST** SINKS, FAUCETS AND DRAINS, VISIT OUR WEB SITE AT www.justmfg.com

To be specified :

- Faucet hole punching:
- Over partitions (centered)**
- Over each Compartment (centered)**

Holes punched at each location:

- (1) Hole Centered
- (2) Holes on 8" centers
- (3) Holes on 4 "centers

- Alternate Punching:
Faucet Model: _____

Punching required: _____

Standard

Depth - 12" Backsplash ht-12"
(Water level 11-1/4")

Alternate sizing

- 8" backsplash / 14" depth
- _____ backsplash
- _____ depth

Job Name _____

Customer _____

Architect/Engineer _____

APPROVED FOR MANUFACTURING

MODEL NO. **SB-360-24RL** QTY. _____

COMPANY _____

TITLE _____ DATE _____

SIGNATURE _____

JUST MANUFACTURING COMPANY

9233 KING STREET . FRANKLIN PARK . ILLINOIS . 60131-2111

PH: 847-678-5150

FAX: 847-678-6817

E-MAIL: custserv@justmfg.com

www.justmfg.com