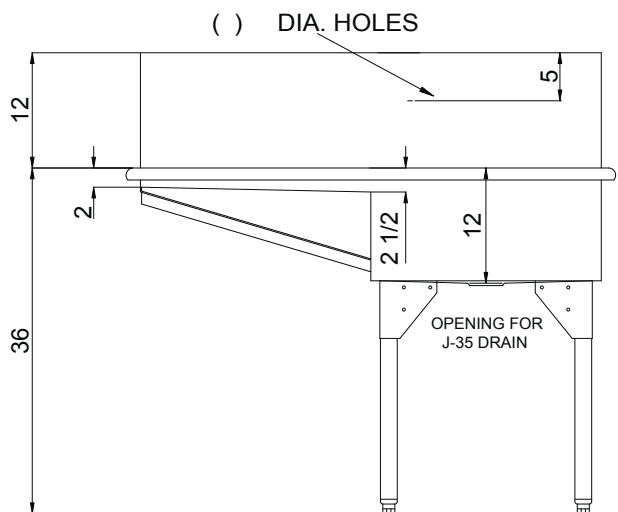
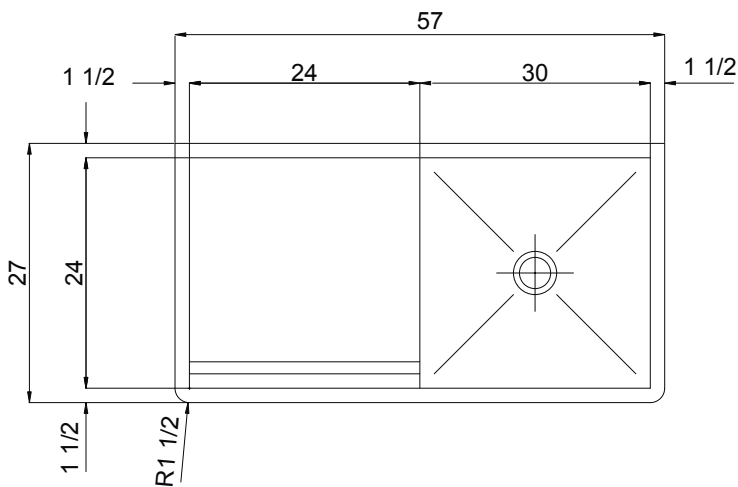




**COMMERCIAL GROUP**



**29.61** Gallon Capacity  
**Capacity Matters**  
 Max ID sizing with straight sided bowl configuration (non tapered sides). Tight corner radius design.

**SB-130-24L (12/12)**

**ONE COMPARTMENT SQUARE CORNER - ONE DRAINBOARD**



**SPECIFICATION**

Constructed of 14 gauge type 304, 18-8 stainless steel. Interior surfaces polished with a non-porous Hand-Blended Just Finish. Exposed exterior surfaces to have a brush finish. Supported on (4) 1 5/8 O.D. stainless steel tubular legs with stainless steel angle gussets and adjustable bullet feet. Drain punch #35 centered for Just J-35 unless otherwise specified.

**To be specified :**

- Faucet hole punching:
- (1) Hole Centered
- (2) Holes on 8" centers
- (3) Holes on 4" centers
- Alternate Punching:  
Faucet Model: \_\_\_\_\_

Punching required: \_\_\_\_\_

**Standard**  
**Depth - 12"** (Water level 12")  
**Backsplash height - 12"**

**Alternate sizing**

- 8" backsplash / 14" depth
- \_\_\_\_\_ backsplash
- \_\_\_\_\_ depth

Models listed will be fabricated based on the detail shown here. Standard depth is 12", standard backsplash height is 12", for other sizes, specify requirements. Custom size units will be based on the drawing shown, modified as required.



FUNCTIONAL DESIGN, QUALITY, AND SPECIFICATIONS LISTED DESCRIBE THE JUST STANDARD OF QUALITY. WHEN MAKING COMPARISONS WITH OTHER OFFERINGS, INSIST ON THE JUST QUALITY OF CONSTRUCTION. FOR ADDITIONAL INFORMATION REGARDING THE COMPLETE LINE OF **JUST** SINKS, FAUCETS AND DRAINS, VISIT OUR WEB SITE AT [www.justmfg.com](http://www.justmfg.com)

Job Name \_\_\_\_\_  
 Customer \_\_\_\_\_  
 Architect/Engineer \_\_\_\_\_

APPROVED FOR MANUFACTURING

MODEL NO. SB-130-24L \_\_\_\_\_ QTY. \_\_\_\_\_  
 COMPANY \_\_\_\_\_  
 TITLE \_\_\_\_\_ DATE \_\_\_\_\_  
 SIGNATURE \_\_\_\_\_

REVISED-5/2004

**JUST MANUFACTURING COMPANY** 9233 KING STREET . FRANKLIN PARK . ILLINOIS . 60131-2111  
 PH: 847-678-5150 . FAX: 847-678-6817 . E-MAIL: [custserv@justmfg.com](mailto:custserv@justmfg.com) . [www.justmfg.com](http://www.justmfg.com)