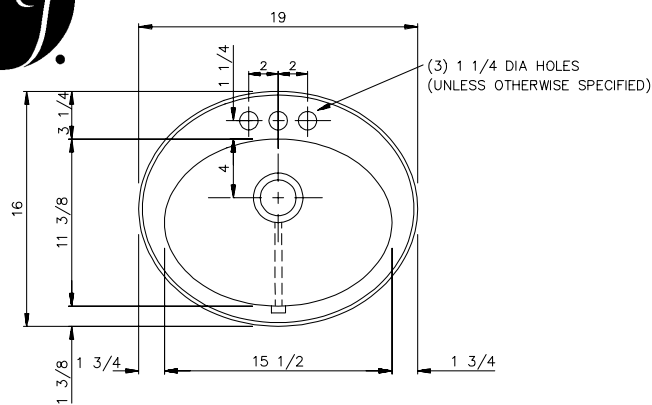
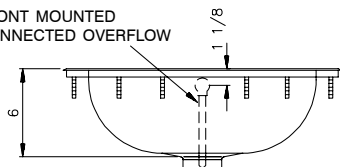




LAVATORY GROUP



FRONT MOUNTED
CONNECTED OVERFLOW

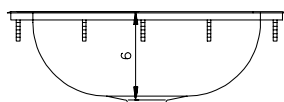
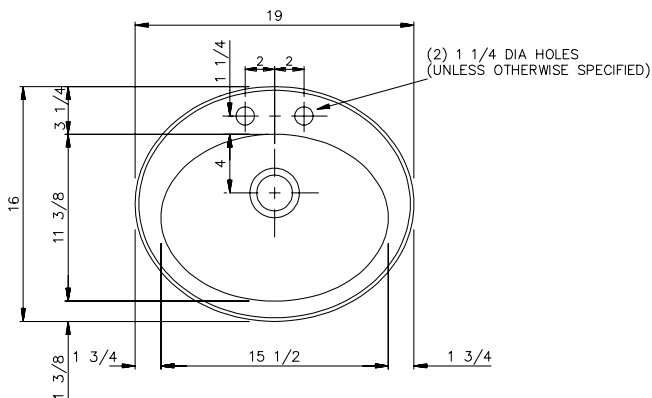


STANDARD LAVATORY
DRAIN OPENING

OLF - 1619

CUTOUT
DIMENSIONS

TRACE OUTLINE OF BOWL CUT
3/8" INSIDE TRACING LINE



#15 DRAIN OPENING

OLR - 1619

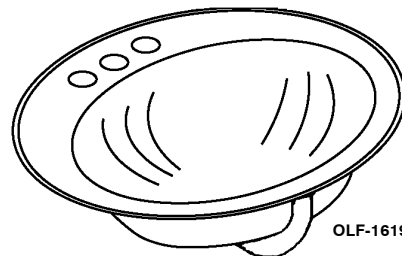
CUTOUT
DIMENSIONS

TRACE OUTLINE OF BOWL CUT
3/8" INSIDE TRACING LINE

FUNCTIONAL DESIGN, QUALITY, AND SPECIFICATIONS LISTED DESCRIBE THE JUST STANDARD OF QUALITY. WHEN MAKING COMPARISONS WITH OTHER OFFERINGS, INSIST ON THE JUST QUALITY OF CONSTRUCTION. FOR ADDITIONAL INFORMATION REGARDING THE COMPLETE LINE OF JUST SINKS, FAUCETS AND DRAINS, VISIT OUR WEB SITE AT www.justmfg.com

OLF/OLR - SERIES - A - 18 GA.

OVAL BOWL



OLF-1619



SPECIFICATION

Seamless die-drawn construction of type 304, 18-8 stainless steel. Interior and top surfaces polished to a non-porous Hand-Blended Just Finish. Fully coated underside insulates for sound, and reduces condensation. OLF-1619 punched for standard lavatory drain. OLR-1619 punched for Just J-15-FS unless otherwise specified.

To be specified :

- Faucet hole punching:
 - (1) Hole Centered
 - (2) Holes on 4" centers(illustrated lower left)
 - (3) Holes on 2" centers(illustrated top left)
- Alternate Punching:
 Faucet Model: _____
 Punching required: _____

Job Name _____
 Customer _____
 Architect/Engineer _____

APPROVED FOR MANUFACTURING

MODEL NO. _____ QTY. _____
 COMPANY _____
 TITLE _____ DATE _____
 SIGNATURE _____

JUST MANUFACTURING COMPANY

9233 KING STREET . FRANKLIN PARK . ILLINOIS . 60131-2111

PH: 847-678-5150 . FAX: 847-678-6817 . E-MAIL: custserv@justmfg.com . www.justmfg.com

SUBMITTAL DATA

REVISED-5/2004