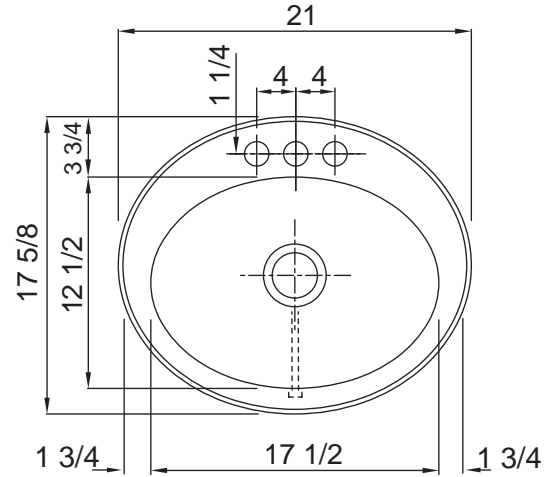




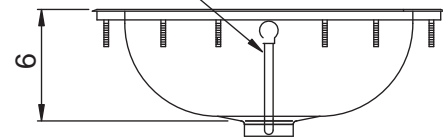
OLF-17521 - 18GA.

LAVATORY GROUP OVAL BOWL LAVATORY with OVERFLOW

SUBMITTAL DATA



FRONT MOUNTED
CONNECTED OVERFLOW



OPENING FOR
J-115-FS DRAIN

SPECIFICATION

Seamless die-drawn construction of type 304, 18-8 stainless steel. Interior and top surfaces polished to a non-porous Hand-Blended Just Finish. Fully coated underside insulates for sound, and reduces condensation. Drain punched for Just J-115-FS.

OLF-17521	CUTOUT DIMENSIONS
	TRACE OUTLINE OF BOWL, CUT 3/8" INSIDE TRACING LINE

To Be Specified:	
■ Faucet Hole Punching:	
<input type="checkbox"/> (1) Hole Centered	
<input type="checkbox"/> (2) Holes on 8" centers	
<input type="checkbox"/> (3) Holes on 4" centers (illustrated)	
<input type="checkbox"/> Alternate Punching: Faucet Model: _____	Punching required: _____

2.91

Gallon
Capacity

Capacity Matters

Max ID sizing with straight sided bowl configuration (non tapered sides). Tight corner radius design.



JUST MFG. COMPANY CONTINUES TO MAKE QUALITY AND FUNCTIONALITY A MARK OF THE JUST PRODUCT LINE. TO DO SO REQUIRES THAT WE RESERVE THE RIGHT TO CHANGE PRODUCT INFORMATION WITHOUT NOTICE. DIMENSIONS MAY VARY AND ARE SUBJECT TO CHANGE WITHOUT NOTICE. NO RESPONSIBILITY IS ASSUMED FOR USE OF SUPERCEDED OR VOIDED DATA. FOR THE MOST CURRENT AND ACCURATE INFORMATION REGARDING THE COMPLETE LINE OF JUST SINKS, FAUCETS AND DRAINS, CLICK ON THE **SPEC LINE DRAWINGS** LINK ON OUR WEB SITE AT www.justmfg.com

APPROVED FOR MANUFACTURING	
MODEL NO.:	QTY:
JOB NAME:	
TAG/ITEM:	
CUSTOMER:	
SIGNATURE:	

JUST MANUFACTURING COMPANY

9233 KING STREET . FRANKLIN PARK . ILLINOIS . 60131-2111

PH: 847-678-5150 . FAX: 847-678-6817 . E-MAIL: custserv@justmfg.com . www.justmfg.com