



NSFB-230-24RL-12/12

INSTITUTIONAL GROUP DOUBLE COMPARTMENT DRAINBOARD - LEFT and RIGHT NSF Certified



SPECIFICATION

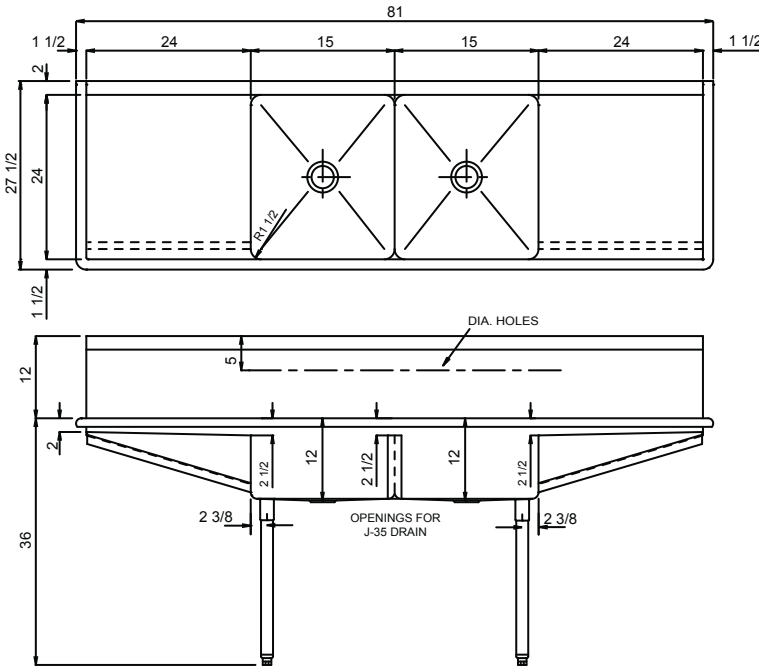
Constructed of 14 gauge, type 304 stainless steel. Backsplash 12" high with 2" angled return. Interior surfaces polished with a non-porous Hand-Blended Just Finish. Exterior surface to have a brush finish. Underside cleaned. Supported on (4) 1-5/8" O.D. 16 gauge stainless steel tubular legs with fully enclosed gussets and adjustable bullet feet. Drain punch for Just J-35 series drains. Certified to NSF Std. No. 2; ASME A112.19.3/CSA B45.4; UPC; IPC.



Sink certified to NSF Standard No. 2 for Food Service Equipment by NSF International



Sink certified to ASME A112.19.3/CSA B45.4; Uniform Plumbing Code (UPC); International Plumbing Code (IPC), by NSF International.



Standard Sizing		Alternate Sizing	
Backsplash Ht.	12"	Backsplash Ht.	8"
Depth	12"	Depth	14"
Made-to-Order- Custom Size			
Depth			
Backsplash Ht:			
To be specified:			
Faucet Hole Location		Holes Punched at Each Location	
Over Partition (centered)		(1) Hole centered	
Over Each Compartment (centered)		(2) holes 8" centers (8" O.C.)	
		(3) holes on 4" centers (4" O.C.)	
Alternate Punching			
Faucet Model:		Punching Required:	

29.32
Gallon
Capacity*

*CAPACITY MATTERS

Based on 12" deep sink. Max. I.D. sizing with straight-sided, non-tapered bowl configuration.



JUST MFG. COMPANY CONTINUES TO MAKE QUALITY AND FUNCTIONALITY A MARK OF THE JUST PRODUCT LINE. WE RESERVE THE RIGHT TO CHANGE PRODUCT INFORMATION WITHOUT NOTICE. DIMENSIONS MAY CHANGE AND MAY BE SUBJECT TO CHANGE WITHOUT NOTICE. NO RESPONSIBILITY IS ASSUMED FOR USE OF SUPERCEDED OR VOIDED DATA. JUST MFG. CO. SINKS ARE MADE IN THE U.S.A. WHEN COMPARING OTHER BRAND PRODUCTS, BE SURE TO COMPARE USA QUALITY ALONG WITH FEATURES AND DIMENSIONS.

APPROVED FOR MANUFACTURING

MODEL NO.: **NSFB-230-24RL** QTY: _____

JOB NAME: _____

TAG/ITEM: _____

CUSTOMER: _____

SIGNATURE: _____

JUST MANUFACTURING COMPANY

9233 KING STREET . FRANKLIN PARK . ILLINOIS . 60131-2111

PH: 847-678-5150 . FAX: 847-678-6817 . E-MAIL: custserv@justmfg.com . www.justmfg.com