

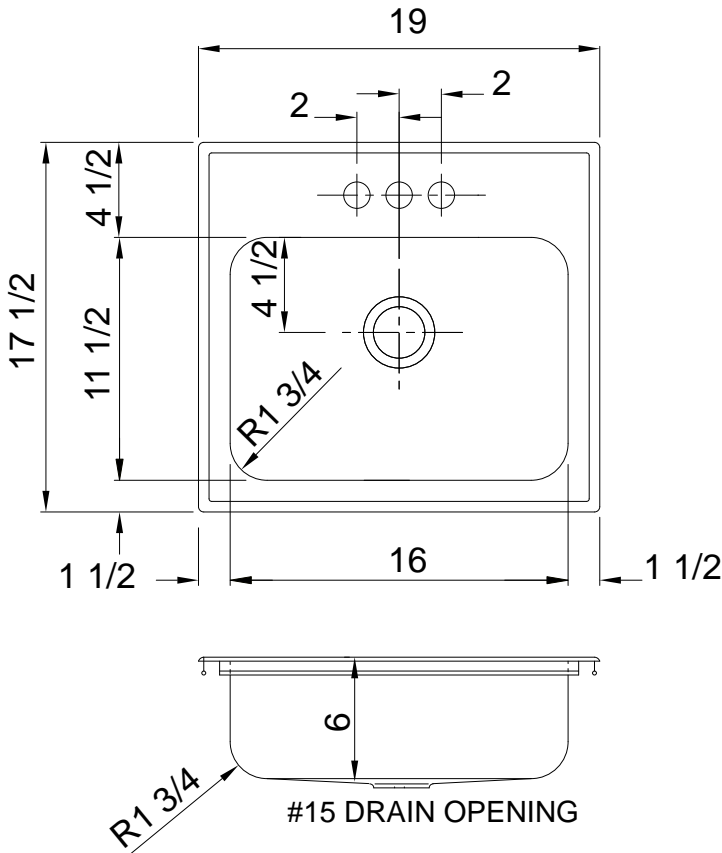


LAVATORY GROUP

LLQ-17519-B-GR - 20 GA.

RECTANGULAR BOWL

SUBMITTAL DATA



SPECIFICATION

Seamless die-drawn construction of type 304, 18-8 stainless steel. Interior and top surfaces polished to a non-porous Hand-Blended Just Finish, with a highlighted bowl rim. Fully coated underside insulates for sound, and reduces condensation. Straight-sided compartment with 1 3/4" radius corners provides greater capacity. Self-rimming top mount Grip-Rim Plus with 300 series stainless steel mounting channels.

To be specified:

- Faucet hole punching:
 - (1) Hole
 - (2) Holes on 4" centers(
 - (3) Holes on 2" centers(illustrated upper left)
 - (3) Holes on 4" centers
- Alternate Punching:
 Faucet Model: _____
 Punching required: _____

4.56
Gallon
Capacity

Capacity Matters

Max ID sizing with straight sided bowl configuration (non tapered sides). Tight corner radius design.

LLQ-17519-B-GR	CUTOUT
	DIMENSIONS* 16-3/4 x 18-1/4

Job Name _____

Customer _____

Architect/Engineer _____

APPROVED FOR MANUFACTURING

MODEL NO. _____ QTY. _____

COMPANY _____

TITLE _____ DATE _____

SIGNATURE _____



FUNCTIONAL DESIGN, QUALITY, AND SPECIFICATIONS LISTED DESCRIBE THE JUST STANDARD OF QUALITY. WHEN MAKING COMPARISONS WITH OTHER OFFERINGS, INSIST ON THE JUST QUALITY OF CONSTRUCTION. FOR ADDITIONAL INFORMATION REGARDING THE COMPLETE LINE OF **JUST** SINKS, FAUCETS AND DRAINS, VISIT OUR WEB SITE AT **www.justmfg.com**

REV/USED 5/2004