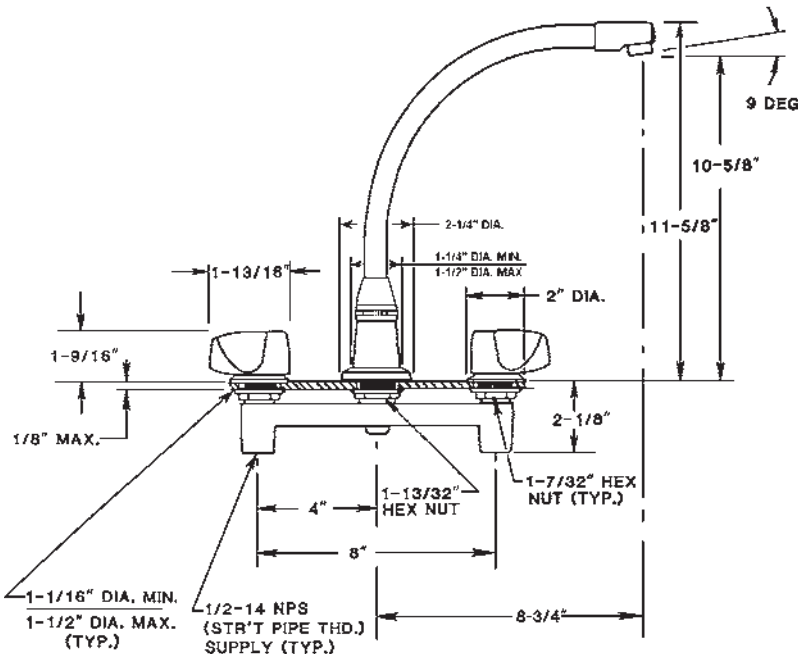




# JWF-200

## FAUCET GROUP CONCEALED MOUNT FAUCET

SUBMITTAL DATA



### TECHNICAL DATA CONSTRUCTION:

Concealed ledgemount on 8 inch centers  
 Cast brass body  
 High rise swing spout with 10-5/8" clearance  
 Replaceable seats  
 Brass quarter turn stem units  
 Chrome plated die cast teardrop handles  
 Equipped with water saving aerator  
 Certified by IAPMO R&T to:

- \* NSF/ANSI 61- 2010a
- \* NSF/ANSI 372
- \* Low Lead
- \* ANSI A112.18.1 / CSA B125.1
- \* UPC
- \* IPC
- \* ADA Compliant



OPTIONS	
AERATORS / FLOW CONTROL	
0.5 GPM	2.2 GPM
1.0 GPM	
HANDLES	
W4 - 4" Wrist Blades	
W6 - 6" Wrist Blades	
VANDAL RESISTANT	
Handles - VR-H	
Aerator - VR-A	

### FINISH

Polished chrome plate

### FLOW RATE

1.5 GPM Flow restricting aerator

### A.D.A. COMPLIANCE

Yes

### VARIANTS

JWF-200-R70° - Restricted swing high rise spout  
 JWF-201 = JWF-200 w/ hose & spray

APPROVED FOR MANUFACTURING

MODEL NO.: **JWF-200** QTY: \_\_\_\_\_

JOB NAME: \_\_\_\_\_

TAG/ITEM: \_\_\_\_\_

CUSTOMER: \_\_\_\_\_

SIGNATURE: \_\_\_\_\_

JUST MFG. COMPANY CONTINUES TO MAKE QUALITY AND FUNCTIONALITY A MARK OF THE JUST PRODUCT LINE. WE RESERVE THE RIGHT TO CHANGE PRODUCT INFORMATION WITHOUT NOTICE. DIMENSIONS MAY CHANGE AND MAY BE SUBJECT TO CHANGE WITHOUT NOTICE. NO RESPONSIBILITY IS ASSUMED FOR USE OF SUPERCEDED OR VOIDED DATA. JUST MFG. CO. SINKS ARE MADE IN THE U.S.A. WHEN COMPARING OTHER BRAND PRODUCTS, BE SURE TO COMPARE USA QUALITY ALONG WITH FEATURES AND DIMENSIONS.

JUST MANUFACTURING COMPANY

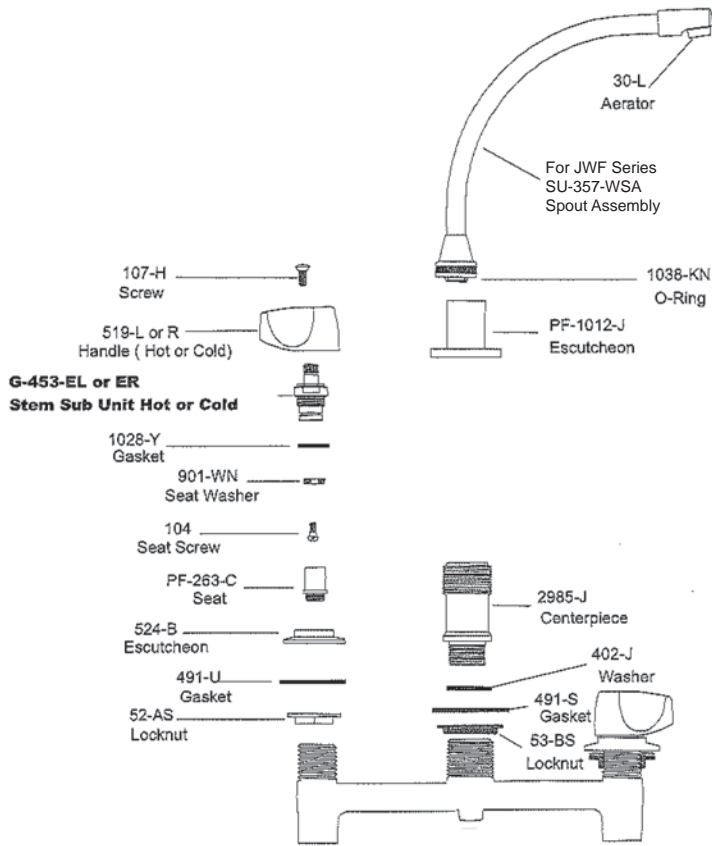
9233 KING STREET . FRANKLIN PARK . ILLINOIS . 60131-2111

PH: 847-678-5150 . FAX: 847-678-6817 . E-MAIL: custserv@justmfg.com . www.justmfg.com



**FAUCET GROUP**

**CONCEALED MOUNT FAUCET**



JUST MFG. COMPANY CONTINUES TO MAKE QUALITY AND FUNCTIONALITY A MARK OF THE JUST PRODUCT LINE. TO DO SO REQUIRES THAT WE RESERVE THE RIGHT TO CHANGE PRODUCT INFORMATION WITHOUT NOTICE. DIMENSIONS MAY VARY AND ARE SUBJET TO CHANGE WITHOUT NOTICE. NO RESPONSIBILITY IS ASSUMED FOR USE OF SUPERCEDED OR VOIDED DATA. FOR THE MOST CURRENT AND ACCURATE INFORMATION REGARDING THE COMPLETE LINE OF JUST SINKS, FAUCETS AND DRAINS, CLICK ON THE **SPEC LINE DRAWINGS** LINK ON OUR WEB SITE AT [www.justmfg.com](http://www.justmfg.com)

<b>JUST MANUFACTURING COMPANY</b>	
9233 KING STREET . FRANKLIN PARK . ILLINOIS . 60131-2111	
PH: 847-678-5150	FAX: 847-678-6817
E-MAIL: <a href="mailto:custserv@justmfg.com">custserv@justmfg.com</a> . <a href="http://www.justmfg.com">www.justmfg.com</a>	