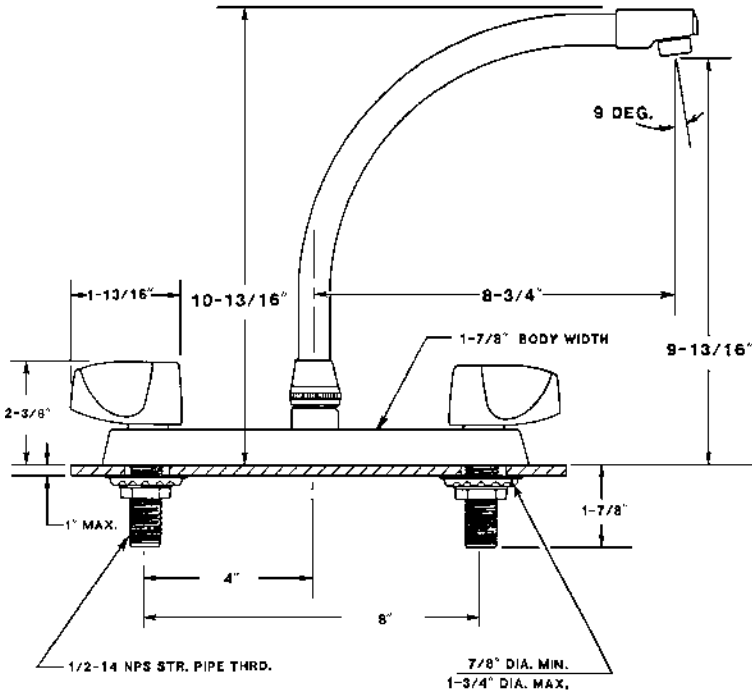




JWF-100

FAUCET GROUP TOPMOUNT FAUCET

SUBMITTAL DATA



TECHNICAL DATA CONSTRUCTION:

Topmount faucet on 8 inch centers
 Solid cast brass body
 High rise swivel spout with 9-13/16" clearance
 Replaceable reinforced nitrile rubber packings
 Replaceable Buna-N seat washers
 Quarter turn stem units are brass
 Chrome plated die cast teardrop handles
 Equipped with water saving aerator
 Certified by IAPMO R&T to:

- * NSF/ANSI 61- 2010a
- * NSF/ANSI 372
- * Low Lead
- * ANSI A112.18.1 / CSA B125.1
- * UPC
- * IPC
- * ADA Compliant



OPTIONS	
AERATORS / FLOW CONTROL	
0.5 GPM	2.2 GPM
1.0 GPM	
HANDLES	
W4 - 4" Wrist Blades	
W6 - 6" Wrist Blades	
VANDAL RESISTANT	
Handles - VR-H	
Aerator - VR-A	

FINISH

Polished chrome plate

FLOW RATE

1.5 GPM flow restricting aerator

A.D.A. COMPLIANCE

Yes

VARIANTS

JWF-101 = JWF-100 w/ hose & spray

APPROVED FOR MANUFACTURING

MODEL NO.: **JWF-100** QTY: _____

JOB NAME: _____

TAG/ITEM: _____

CUSTOMER: _____

SIGNATURE: _____

JUST MFG. COMPANY CONTINUES TO MAKE QUALITY AND FUNCTIONALITY A MARK OF THE JUST PRODUCT LINE. WE RESERVE THE RIGHT TO CHANGE PRODUCT INFORMATION WITHOUT NOTICE. DIMENSIONS MAY CHANGE AND MAY BE SUBJECT TO CHANGE WITHOUT NOTICE. NO RESPONSIBILITY IS ASSUMED FOR USE OF SUPERCEDED OR VOIDED DATA. JUST MFG. CO. SINKS ARE MADE IN THE U.S.A. WHEN COMPARING OTHER BRAND PRODUCTS, BE SURE TO COMPARE USA QUALITY ALONG WITH FEATURES AND DIMENSIONS.

JUST MANUFACTURING COMPANY

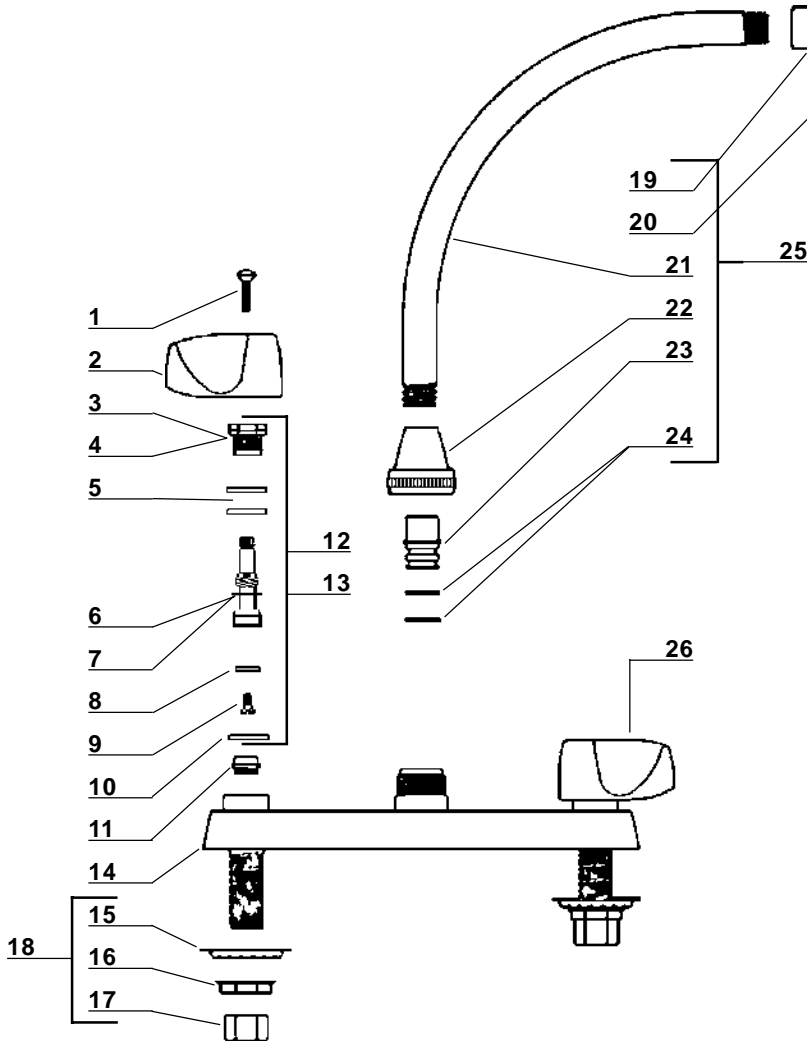
9233 KING STREET FRANKLIN PARK ILLINOIS 60131-2111

PH: 847-678-5150 . FAX: 847-678-6817 . E-MAIL: custserv@justmfg.com . www.justmfg.com



FAUCET GROUP

TOPMOUNT FAUCET



Item No.	Part No.	Description
1	107-H	Handle Screw
2	G-519-L	Teardrop Handle (Left)
3	454-EWC	Bonnet (Cold Side)
4	454-EWH	Bonnet (Hot Side)
5	1038-453	O-Ring
6	454-FL	Stem (Left Side)
7	454-FR	Stem (Right Side)
8	901-WN	Seat Washer
9	104	Seat Washer Screw
10	1028-Y	Gasket
11	263-BC	Replaceable Seat
12	SU-454-EL	Stem & Bonnet Assembly (Left)
13	SU0454-ER	Stem & Bonnet Assembly (Right)
14	1947-J	Body
15	54	Steel Washer
16	7133-AL	Locknut
17	4015	Coupling Nut
18	G-913-A	Nut & Washer Assembly
19	PF-1550-J	Adapter
20	30-L	Aerator
21	PF-357-JHR	Waterfall Spout
22	PF-782-JE	Spout Nut
23	PF-741-DO	Adaptor
24	1038-K	"O" Rings
25	SU-357-WSA	Spout & Adaptor Assembly
26	G-519-R	Teardrop Handle (Right)

JUST MFG. COMPANY CONTINUES TO MAKE QUALITY AND FUNCTIONALITY A MARK OF THE JUST PRODUCT LINE. TO DO SO REQUIRES THAT WE RESERVE THE RIGHT TO CHANGE PRODUCT INFORMATION WITHOUT NOTICE. DIMENSIONS MAY VARY AND ARE SUBJECT TO CHANGE WITHOUT NOTICE. NO RESPONSIBILITY IS ASSUMED FOR USE OF SUPERCEDED OR VOIDED DATA. FOR THE MOST CURRENT AND ACCURATE INFORMATION REGARDING THE COMPLETE LINE OF JUST SINKS, FAUCETS AND DRAINS, CLICK ON THE **SPEC LINE DRAWINGS** LINK ON OUR WEB SITE AT www.justmfg.com

JUST MANUFACTURING COMPANY
 9233 KING STREET . FRANKLIN PARK . ILLINOIS . 60131-2111
 PH: 847-678-5150 . FAX: 847-678-6817
 E-MAIL: custserv@justmfg.com . www.justmfg.com