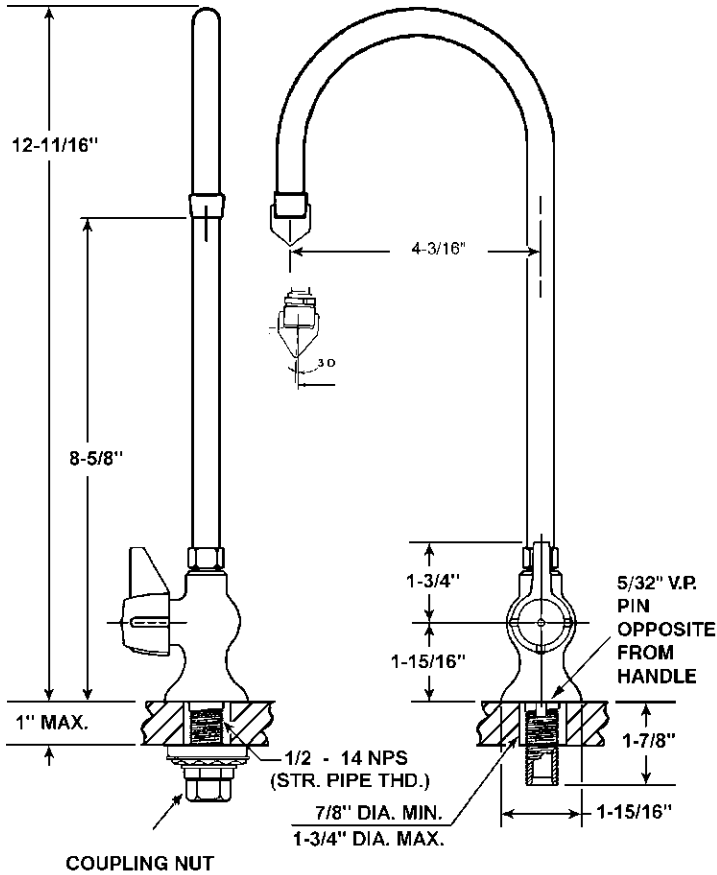




JVR-1

FAUCET GROUP CLASSROOM FAUCET

SUBMITTAL DATA



TECHNICAL DATA CONSTRUCTION:

Single hole, single supply deck mounted
Solid cast brass body
Brass rigid gooseneck spout 12-11/16" high
Rigid spout location is adjustable
Brass quarter turn compression stem unit
Valve has replaceable seat
Replaceable Buna-N seat washers
Lever handle is chrome plated die cast (vandal resistant)
Handle is indexed "C"
Equipped with water saving aerator
Vandal resistant pin in base prevents turning.
Certified by IAPMO R&T to:

- * NSF/ANSI 61- 2010a
- * NSF/ANSI 372
- * Low Lead
- * ANSI A112.18.1 / CSA B125.1
- * UPC
- * IPC
- * ADA Compliant

FINISH

Polished chrome plate



OPTIONS	
AERATORS / FLOW CONTROL	
0.5 GPM	2.2 GPM
1.0 GPM	
HANDLES	
W4 - 4" Wrist Blades	
W6 - 6" Wrist Blades	

APPROVED FOR MANUFACTURING

MODEL NO.: **JVR-1** QTY: _____

JOB NAME: _____

TAG/ITEM: _____

CUSTOMER: _____

SIGNATURE: _____

FLOW RATE

1.5 GPM flow restricting aerator

A.D.A. COMPLIANT

Yes

JUST MFG. COMPANY CONTINUES TO MAKE QUALITY AND FUNCTIONALITY A MARK OF THE JUST PRODUCT LINE. WE RESERVE THE RIGHT TO CHANGE PRODUCT INFORMATION WITHOUT NOTICE. DIMENSIONS MAY CHANGE AND MAY BE SUBJECT TO CHANGE WITHOUT NOTICE. NO RESPONSIBILITY IS ASSUMED FOR USE OF SUPERCEDED OR VOIDED DATA. JUST MFG. CO. SINKS ARE MADE IN THE U.S.A. WHEN COMPARING OTHER BRAND PRODUCTS, BE SURE TO COMPARE USA QUALITY ALONG WITH FEATURES AND DIMENSIONS.

JUST MANUFACTURING COMPANY

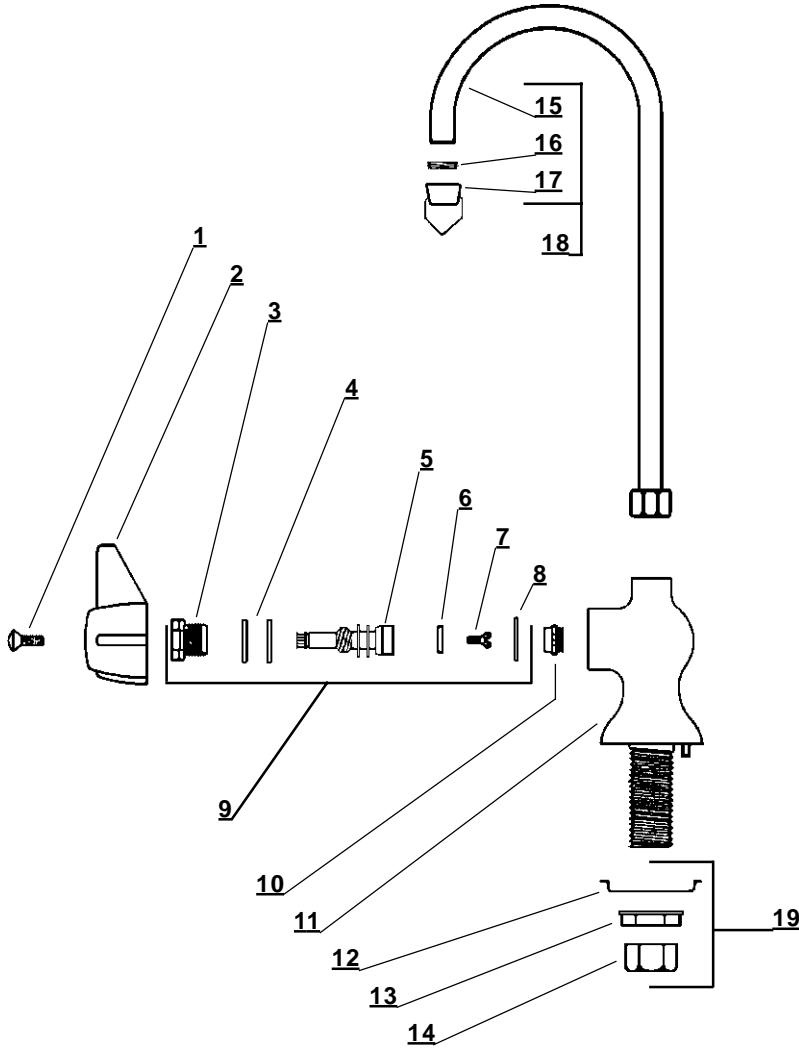
9233 KING STREET FRANKLIN PARK ILLINOIS 60131-2111

PH: 847-678-5150 . FAX: 847-678-6817 . E-MAIL: custserv@justmfg.com . www.justmfg.com



FAUCET GROUP

CLASSROOM FAUCET



Item No.	Part No.	Description
1	107-F	Handle Screw
2	523-C	Handle - Cold
3	454-EWC	Bonnet (Cold Side)
4	1038-453	O-Ring
5	454-FL	Stem (Cold Side)
6	901-WN	Seat Washer
7	104	Seat Washer Screw
8	1028-Y	Gasket
9	SU-454-EL	Stem Sub-Unit (Cold Side)
10	263-BC	Replaceable Seat
11	2904-286	Body (not available separately)
12	54	Cup Washer
13	7133-AL	Locknut
14	4015-BAR	Coupling Nut
15	PF-157-HA	Spout
16	PF-166-UA	Adaptor
17	VRA1.5	Vandal resistant aerator 1.5 GPM
18	SU-157-HA	Spout Assembly
19	G-97-A	Nut & washer mounting kit

FUNCTIONAL DESIGN, QUALITY, AND SPECIFICATIONS LISTED DESCRIBE THE JUST STANDARD OF QUALITY. WHEN MAKING COMPARISONS WITH OTHER OFFERINGS, INSIST ON THE JUST QUALITY OF CONSTRUCTION. FOR ADDITIONAL INFORMATION REGARDING THE COMPLETE LINE OF *JUST* SINKS, FAUCETS AND DRAINS, VISIT OUR WEB SITE AT www.justmfg.com

JUST MANUFACTURING COMPANY	9233 KING STREET . FRANKLIN PARK . ILLINOIS . 60131-2111
PH: 847-678-5150 . FAX: 847-678-6817 . E-MAIL: custserv@justmfg.com . www.justmfg.com	