

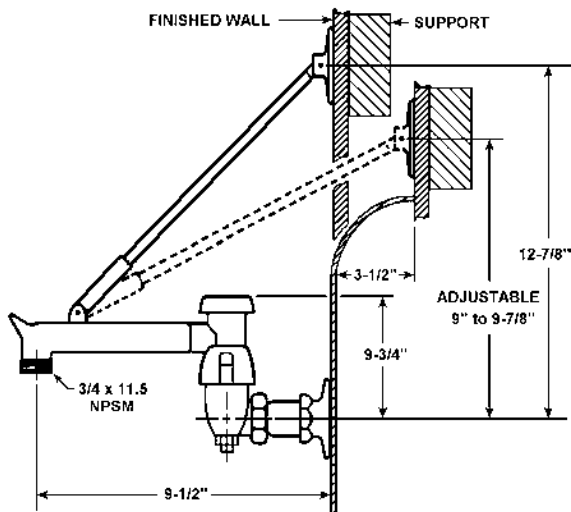
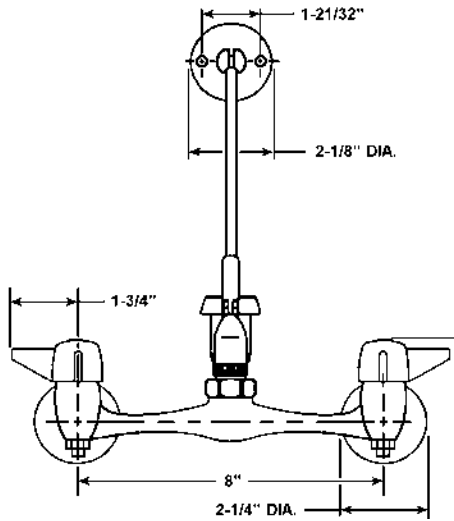


JVB-1200

FAUCET GROUP

SERVICE SINK FAUCET

SUBMITTAL DATA



TECHNICAL DATA

CONSTRUCTION:

- Exposed wallmount on 8 inch centers
- Rigid brass spout with pail hook and vacuum breaker
- Solid, heavy duty, cast brass body with spout brace
- Heavy duty quarter turn quick compression stem units
- Body with integral screwdriver stops
- Replaceable seats and Buna-N seat washers
- Replaceable Reinforced nitrile rubber packing
- Chrome plated die cast lever handles
- Handles are indexed "H" & "C"

Certified by IAPMO R&T to:

- * NSF/ANSI 61- 2010a
- * NSF/ANSI 372
- * Low Lead
- * ANSI A112.18.1 / CSA B125.1
- * UPC
- * IPC
- * ADA Compliant



OPTIONS	
HANDLES	
W4 - 4" Wrist Blades	
W6 - 6" Wrist Blades	

FINISH

Polished chrome plate

FLOW RATE

N/A

A.D.A. COMPLIANT

Yes

VARIANTS

JVBR-1201 = Rough chrome finish JVB-1200

JUST MFG. COMPANY CONTINUES TO MAKE QUALITY AND FUNCTIONALITY A MARK OF THE JUST PRODUCT LINE. WE RESERVE THE RIGHT TO CHANGE PRODUCT INFORMATION WITHOUT NOTICE. DIMENSIONS MAY CHANGE AND MAY BE SUBJECT TO CHANGE WITHOUT NOTICE. NO RESPONSIBILITY IS ASSUMED FOR USE OF SUPERCEDED OR VOIDED DATA. JUST MFG. CO. SINKS ARE MADE IN THE U.S.A. WHEN COMPARING OTHER BRAND PRODUCTS, BE SURE TO COMPARE USA QUALITY ALONG WITH FEATURES AND DIMENSIONS.

APPROVED FOR MANUFACTURING

MODEL NO.: **JVB-1200** QTY: _____

JOB NAME: _____

TAG/ITEM: _____

CUSTOMER: _____

SIGNATURE: _____

JUST MANUFACTURING COMPANY

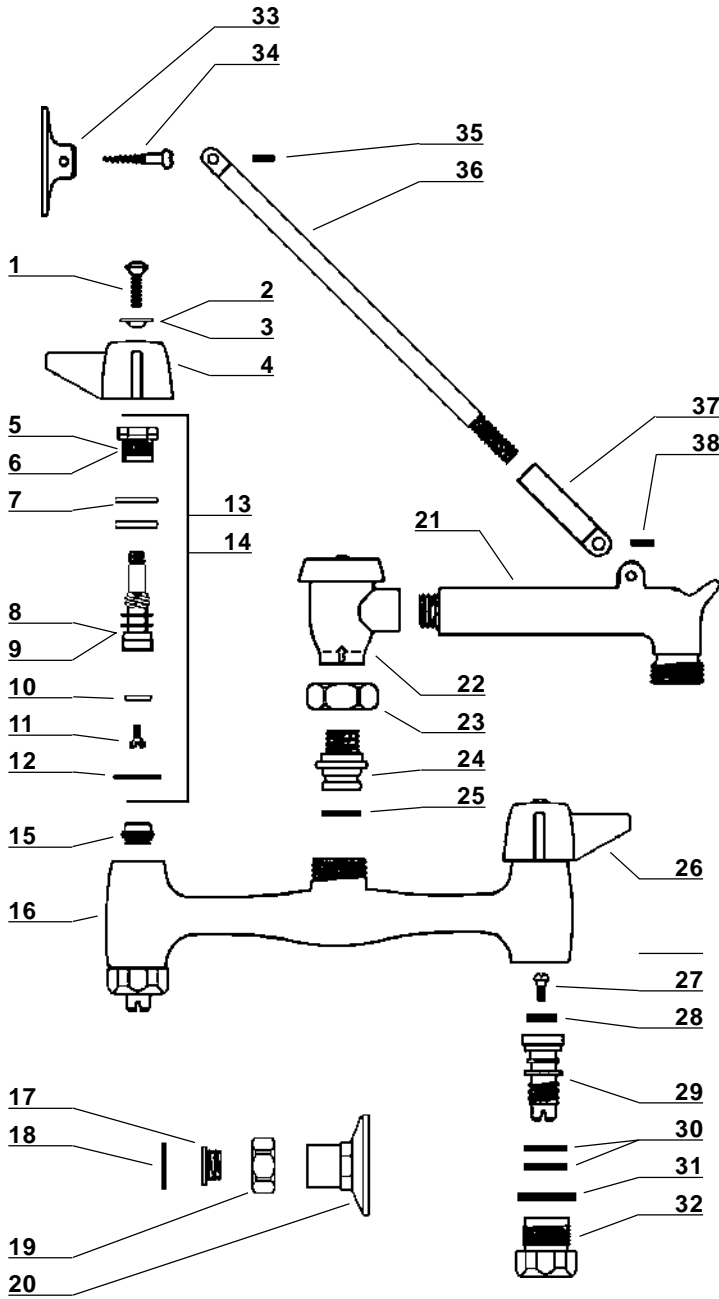
9233 KING STREET FRANKLIN PARK ILLINOIS 60131-2111

PH: 847-678-5150 . FAX: 847-678-6817 . E-MAIL: custserv@justmfg.com . www.justmfg.com



FAUCET GROUP

SERVICE SINK FAUCET



Item No.	Part No.	Description
1	107-F	Handle Screw
2	107-FB	Insert (Blue - Cold)
3	107-FR	Insert (Red - Hot)
4	523-H	Handle - Hot
5	454-EWC	Bonnet (Cold Side)
6	454-EWH	Bonnet (Hot Side)
7	1038-453	Seat Washer
8	454-FL	Stem (Cold Side)
9	454-FR	Stem (Hot Side)
10	901-WN	Gasket
11	104	Seat Washer Screw
12	1028-Y	Gasket
13	SU-454-EL	Stem Sub-Unit (Cold Side)
14	SU-454-ER	Stem Sub-Unit (Hot Side)
15	263-BC	Replaceable Seat
16	2831*104	Body
17	256-L	Spud
18	940-TR	Rubber Washer
19	PF-2843-49	Coupling Nut
20	2907	Flange
21	1615-54CP	Spout
22	5355	Vacuum Breaker
23	PF-2843-49	Coupling Nut
24	PF-5355-A	Adaptor
25	1038-K	Spout "O" ring
26	523-C	Handle (Cold)
27	104	Screw
28	911	Seat Washer
29	PF-356-RS*04	Stem
30	1038-H	Stem "O" rings
31	1038-DD	Bonnet "O" ring
32	PF-356-B*04	Bonnet
33	3130-M	Wall Flange
34	PF-128-52	Screw (2)
35	5355-P	Spring Pin
36	PF-5355-L	Upper Wall Rod
37	PF-5355-S	Rod Adjuster
38	5355-P	Spring Pin

JUST MFG. COMPANY CONTINUES TO MAKE QUALITY AND FUNCTIONALITY A MARK OF THE JUST PRODUCT LINE. TO DO SO REQUIRES THAT WE RESERVE THE RIGHT TO CHANGE PRODUCT INFORMATION WITHOUT NOTICE. DIMENSIONS MAY VARY AND ARE SUBJECT TO CHANGE WITHOUT NOTICE. NO RESPONSIBILITY IS ASSUMED FOR USE OF SUPERCEDED OR VOIDED DATA. FOR THE MOST CURRENT AND ACCURATE INFORMATION REGARDING THE COMPLETE LINE OF JUST SINKS, FAUCETS AND DRAINS, CLICK ON THE **SPEC LINE DRAWINGS** LINK ON OUR WEB SITE AT www.justmfg.com

JUST MANUFACTURING COMPANY
 9233 KING STREET . FRANKLIN PARK . ILLINOIS . 60131-2111
 PH: 847-678-5150 . FAX: 847-678-6817
 E-MAIL: custserv@justmfg.com . www.justmfg.com