



# JV-5130

## FAUCET GROUP WIDESPREAD KITCHEN FAUCET

SUBMITTAL DATA

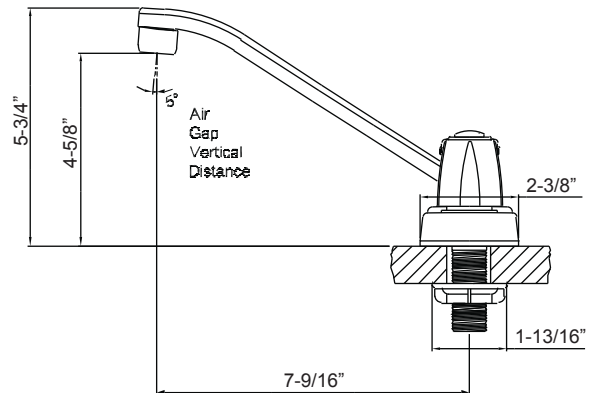
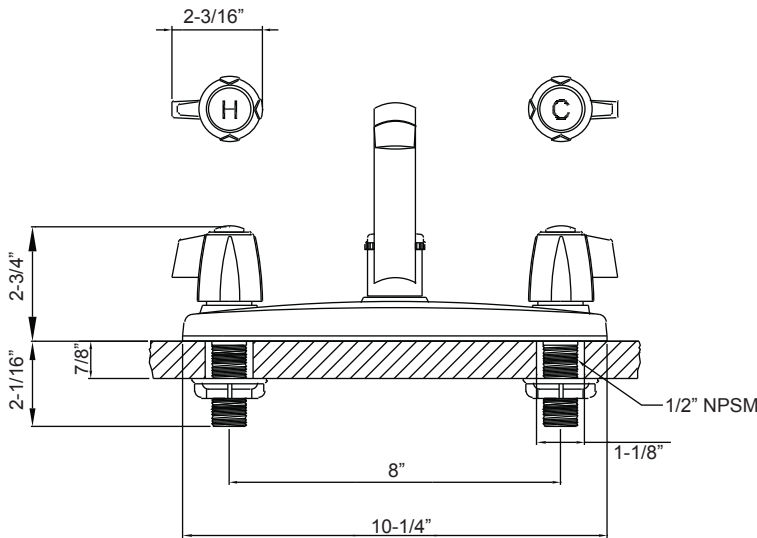


### Features:

- PVD Polished chrome
- Two Handle Kitchen faucet
- Washerless Cartridges Operation
- 2-Hole 8" Installation
- 7-9/16" Reach, 4-5/8" From Deck to Aerator
- 'D' Style Spout
- 1.5 GPM aerator
- Contains no more than 0.25% weighted average lead content.

### Standards

- ASME A112.18.1
- ANSI A117.1
- ANSI / NSF 61, SECTION 9
- CUPC / IAPMO LISTED / ADA COMPLIANT



APPROVED FOR MANUFACTURING	
MODEL NO.:	<b>JV-5130</b> QTY: _____
JOB NAME:	_____
TAG/ITEM:	_____
CUSTOMER:	_____
SIGNATURE:	_____

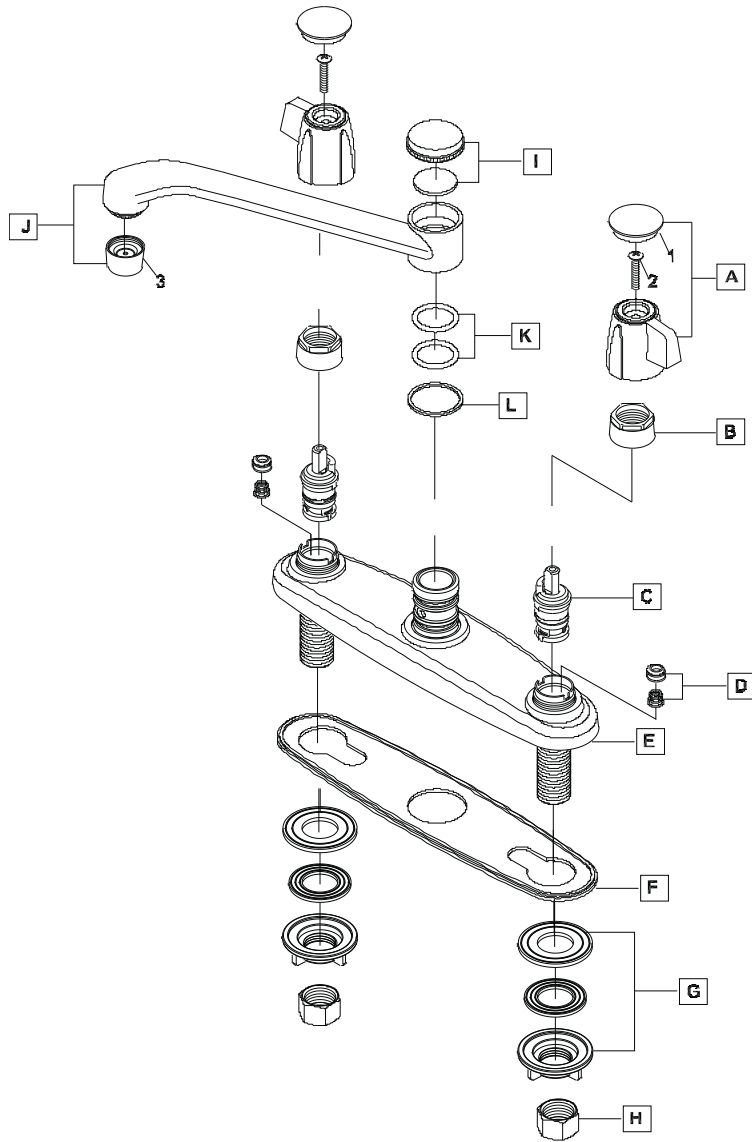
JUST MFG. COMPANY CONTINUES TO MAKE QUALITY AND FUNCTIONALITY A MARK OF THE JUST PRODUCT LINE. WE RESERVE THE RIGHT TO CHANGE PRODUCT INFORMATION WITHOUT NOTICE. DIMENSIONS MAY CHANGE AND MAY BE SUBJECT TO CHANGE WITHOUT NOTICE. NO RESPONSIBILITY IS ASSUMED FOR USE OF SUPERCEDED OR VOIDED DATA. JUST MFG. CO. SINKS ARE MADE IN THE U.S.A. WHEN COMPARING OTHER BRAND PRODUCTS, BE SURE TO COMPARE USA QUALITY ALONG WITH FEATURES AND DIMENSIONS.

**JUST MANUFACTURING COMPANY**

9233 KING STREET . FRANKLIN PARK . ILLINOIS . 60131-2111

PH: 847-678-5150 . FAX: 847-678-6817 . E-MAIL: [custserv@justmfg.com](mailto:custserv@justmfg.com) . [www.justmfg.com](http://www.justmfg.com)

JV-5130  
FAUCET GROUP  
WIDESPREAD KITCHEN FAUCET



	ITEM #	DESCRIPTION
A	OP-190004C,H*	Mini Blade Handle Cold, Hot
B	OP-490040	Bonnet Nut
C	OP-390005	Cartridges-Plastic Post
D	OP-490041	Spring and seats
E	OP-420025*	Deck Plate
F	OP-420026	Base Gasket
G	OP-520009	Mounting Locknut & Washer
H	OP-590001	Supply Nut
I	OP-420018*	Spout Cap & Washer
J	OP-220002*	Spout
K	OP-420019	O-rings
L	OP-420020	Gasket
1	OP-490013C,H	Mini Blade Button Cold, Hot
2	OP-490014	Screw
3	OP-490035*	1.5 GPM Aerator

JUST MFG. COMPANY CONTINUES TO MAKE QUALITY AND FUNCTIONALITY A MARK OF THE JUST PRODUCT LINE. TO DO SO REQUIRES THAT WE RESERVE THE RIGHT TO CHANGE PRODUCT INFORMATION WITHOUT NOTICE. DIMENSIONS MAY VARY AND ARE SUBJECT TO CHANGE WITHOUT NOTICE. NO RESPONSIBILITY IS ASSUMED FOR USE OF SUPERCEDED OR VOIDED DATA. FOR THE MOST CURRENT AND ACCURATE INFORMATION REGARDING THE COMPLETE LINE OF JUST SINKS, FAUCETS AND DRAINS, CLICK ON THE **SPEC LINE DRAWINGS** LINK ON OUR WEB SITE AT [www.justmfg.com](http://www.justmfg.com)

**JUST MANUFACTURING COMPANY**

9233 KING STREET . FRANKLIN PARK . ILLINOIS . 60131-2111

PH: 847-678-5150 . FAX: 847-678-6817

E-MAIL: [custserv@justmfg.com](mailto:custserv@justmfg.com) .  
[www.justmfg.com](http://www.justmfg.com)