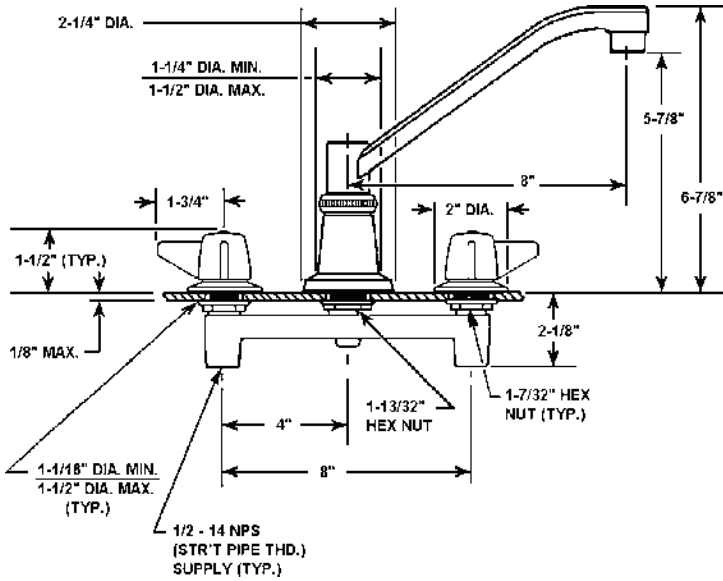




# JV-174-A FAUCET GROUP KITCHEN SINK FAUCET

SUBMITTAL DATA



## TECHNICAL DATA CONSTRUCTION:

- Concealed ledge mounted on 8 inch centers
- Solid cast brass body
- Brass 8" "D" shape swing spout
- Replaceable seats
- Brass quarter turn quick compression stem units
- Replaceable reinforced nitrile rubber packing
- Replaceable Buna-N seat washers
- Chrome plated die cast lever handles
- Handles are indexed "H" & "C"
- Equipped with water saving aerator
- Certified by IAPMO R&T to:

- \* NSF/ANSI 61- 2010a
- \* NSF/ANSI 372
- \* Low Lead
- \* ANSI A112.18.1 / CSA B125.1
- \* UPC
- \* IPC
- \* ADA Compliant



## FINISH

Polished chrome plate

## FLOW RATE

1.5 GPM flow restricting aerator

## A.D.A. COMPLIANT

Yes

## VARIANTS

JV-175-A = JV-174-A w/ spray

JUST MFG. COMPANY CONTINUES TO MAKE QUALITY AND FUNCTIONALITY A MARK OF THE JUST PRODUCT LINE. WE RESERVE THE RIGHT TO CHANGE PRODUCT INFORMATION WITHOUT NOTICE. DIMENSIONS MAY CHANGE AND MAY BE SUBJECT TO CHANGE WITHOUT NOTICE. NO RESPONSIBILITY IS ASSUMED FOR USE OF SUPERCEDED OR VOIDED DATA. JUST MFG. CO. SINKS ARE MADE IN THE U.S.A. WHEN COMPARING OTHER BRAND PRODUCTS, BE SURE TO COMPARE USA QUALITY ALONG WITH FEATURES AND DIMENSIONS.

OPTIONS		
AERATORS / FLOW CONTROL		
0.5 GPM	2.2 GPM	
1.0 GPM		
HANDLES		
W4 - 4" Wrist Blades		
W6 - 6" Wrist Blades		
VANDAL RESISTANT		
Handles - VR-H		
Aerator - VR-A		

APPROVED FOR MANUFACTURING	
MODEL NO.:	<b>JV-174-A</b>
QTY:	_____
JOB NAME:	_____
TAG/ITEM:	_____
CUSTOMER:	_____
SIGNATURE:	_____

JUST MANUFACTURING COMPANY

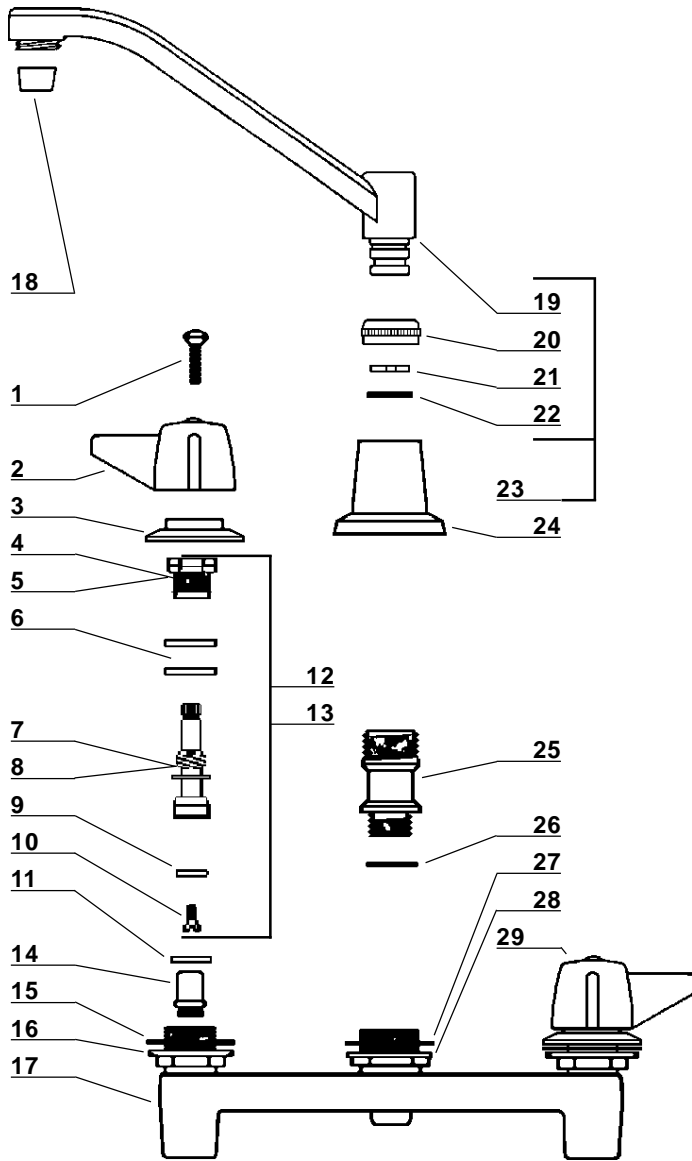
9233 KING STREET FRANKLIN PARK ILLINOIS 60131-2111

PH: 847-678-5150 . FAX: 847-678-6817 . E-MAIL: custserv@justmfg.com . www.justmfg.com



**FAUCET GROUP**

**KITCHEN SINK FAUCET**



Item No.	Part No.	Description
1	107-F	Handle Screw
2	523-H	Handle - Hot
3	PF-524-J	Escutcheon
4	454-EWC	Bonnet ( Cold Side)
5	454-EWH	Bonnet ( Hot Side)
6	1038-453	O-Ring
7	454-FL	Stem ( Left Side )
8	454-FR	Stem ( Right Side )
9	901-WN	Seat Washer
10	104	Seat Washer Screw
11	1028-Y	Gasket
12	SU-454-EL	Stem & Bonnet Assembly (Left)
13	SU-454-ER	Stem & Bonnet Assembly (Right)
14	263-C	Replaceable Seat
15	491-U	Corner gasket
16	53-AS	Locknut
17	1959-74	Body (not available)
18	30-M	Aerator
19	PF-365-CA	Spout
20	PF-782-D	Spout Nut
21	166-F	Snap Ring
22	1038-K	O-Ring
23	SU-365-C	8" Spout Assembly
24	1012-N	Escutcheon
25	2985-J	Cernerpiece
26	402-J	Washer
27	491-S	Gasket
28	53-BS	Locknut
29	523-C	Handle - Cold

JUST MFG. COMPANY CONTINUES TO MAKE QUALITY AND FUNCTIONALITY A MARK OF THE JUST PRODUCT LINE. TO DO SO REQUIRES THAT WE RESERVE THE RIGHT TO CHANGE PRODUCT INFORMATION WITHOUT NOTICE. DIMENSIONS MAY VARY AND ARE SUBJET TO CHANGE WITHOUT NOTICE. NO RESPONSIBILITY IS ASSUMED FOR USE OF SUPERCEDED OR VOIDED DATA. FOR THE MOST CURRENT AND ACCURATE INFORMATION REGARDING THE COMPLETE LINE OF JUST SINKS, FAUCETS AND DRAINS, CLICK ON THE **SPEC LINE DRAWINGS** LINK ON OUR WEB SITE AT [www.justmfg.com](http://www.justmfg.com)

**JUST MANUFACTURING COMPANY**  
 9233 KING STREET . FRANKLIN PARK . ILLINOIS . 60131-2111  
 PH: 847-678-5150 . FAX: 847-678-6817  
 E-MAIL: [custserv@justmfg.com](mailto:custserv@justmfg.com) . [www.justmfg.com](http://www.justmfg.com)