



# JV-110

## FAUCET GROUP WIDESPREAD KITCHEN FAUCET

SUBMITTAL DATA

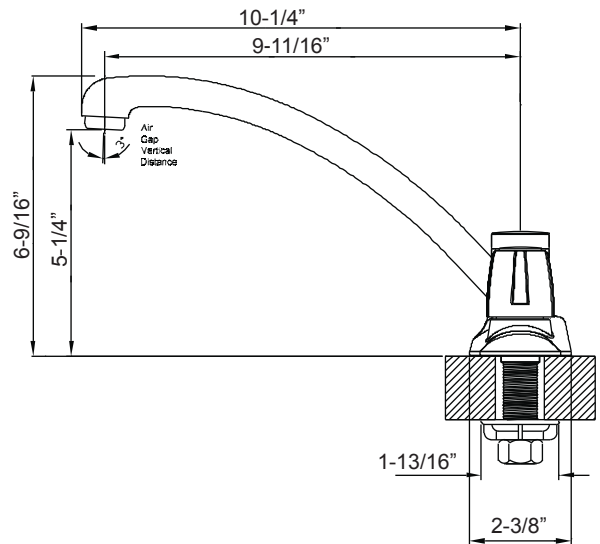
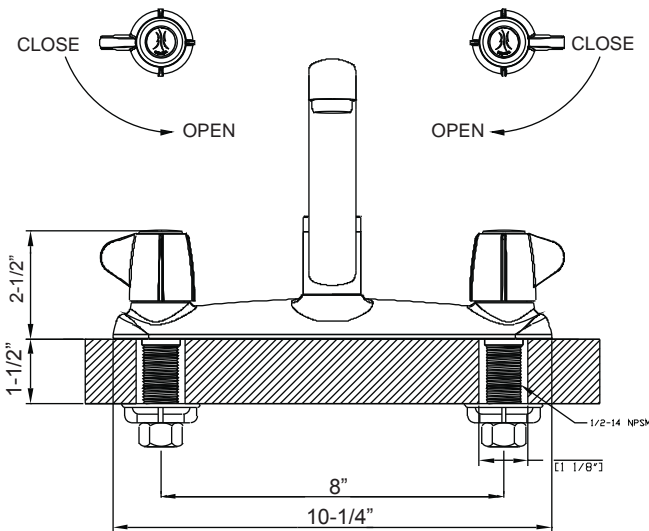


### Features:

- PVD Polished chrome
- Two Handle Kitchen faucet
- Ceramic disc cartridges
- 2-Hole 8" Installation
- 9-11/16" Reach, 5-1/4" From Deck to Aerator
- Mini Blade Handles
- 1.5 GPM aerator
- Contains no more than 0.25% weighted average lead content.

### Standards

- ASME A112.18.1
- ANSI A117.1
- ANSI / NSF 61, SECTION 9
- CUPC / IAPMO LISTED / ADA COMPLIANT

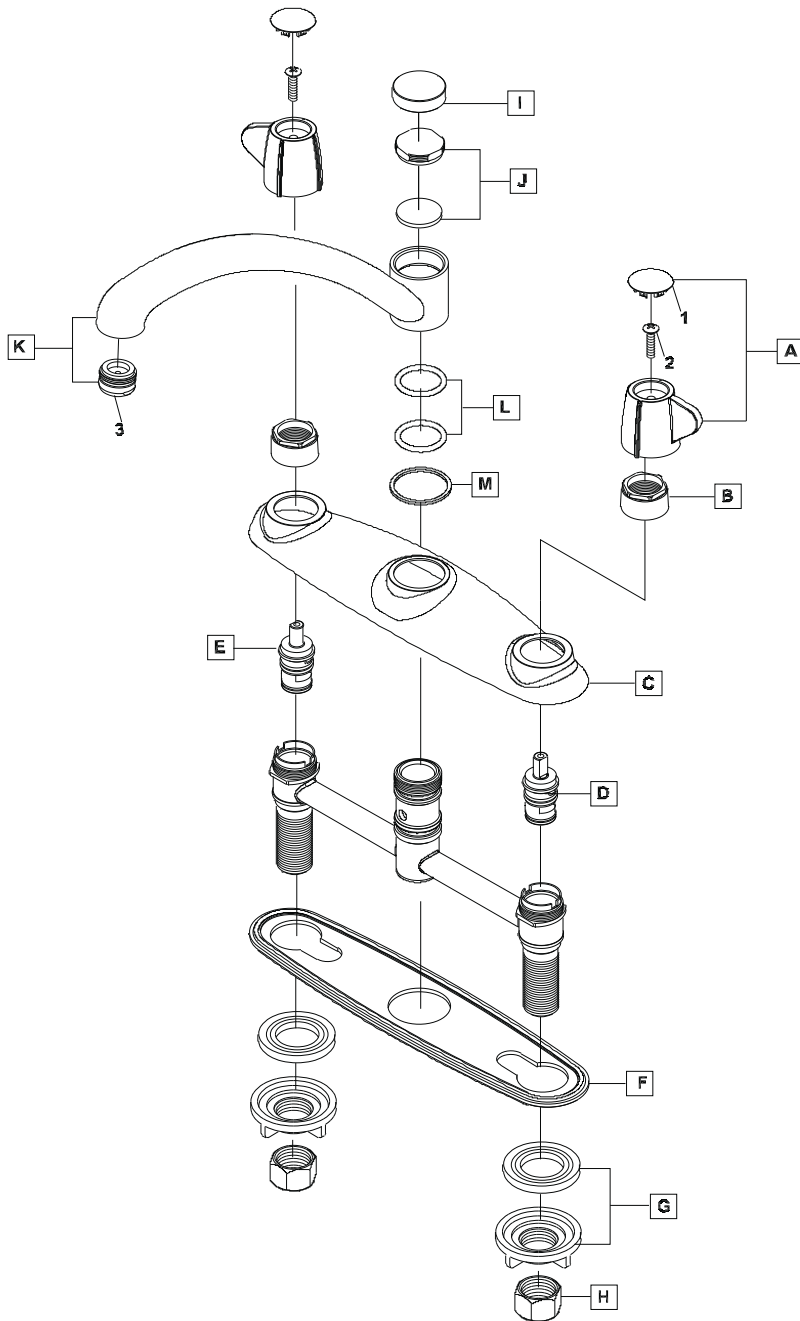


APPROVED FOR MANUFACTURING	
MODEL NO.:	<b>JV-110</b>
QTY:	_____
JOB NAME:	_____
TAG/ITEM:	_____
CUSTOMER:	_____
SIGNATURE:	_____

JUST MFG. COMPANY CONTINUES TO MAKE QUALITY AND FUNCTIONALITY A MARK OF THE JUST PRODUCT LINE. WE RESERVE THE RIGHT TO CHANGE PRODUCT INFORMATION WITHOUT NOTICE. DIMENSIONS MAY CHANGE AND MAY BE SUBJECT TO CHANGE WITHOUT NOTICE. NO RESPONSIBILITY IS ASSUMED FOR USE OF SUPERCEDED OR VOIDED DATA. JUST MFG. CO. SINKS ARE MADE IN THE U.S.A. WHEN COMPARING OTHER BRAND PRODUCTS, BE SURE TO COMPARE USA QUALITY ALONG WITH FEATURES AND DIMENSIONS.

**JUST MANUFACTURING COMPANY**      9233 KING STREET . FRANKLIN PARK . ILLINOIS . 60131-2111  
 PH: 847-678-5150    FAX: 847-678-6817    E-MAIL: [custserv@justmfg.com](mailto:custserv@justmfg.com)    [www.justmfg.com](http://www.justmfg.com)

JV-110  
FAUCET GROUP  
WIDESPREAD KITCHEN FAUCET



	ITEM#	DESCRIPTION
A	X-1900002C,H*	Mini Blade Handle- Cold, Hot
B	X-4900007	Bonnet Nut
C	X-4200014*	Deck Plate
D	X-3900002C	Ceramic Stem - Cold
E	X-3900002H	Ceramic Stem - Hot
F	X-4200015	Base Plate
G	X-4900008	Mounting Kit
H	X-4900004	Supply Nut
I	X-4200058*	Cap
J	X-4200011	Retainer Nut & Washer
K	X-2200002*	Legacy Spout
L	X-4200012	Spout O-Ring
M	X-4200013	Spout Gasket
1	X-4900009C,H	Handle Index-Cold & Hot
2	X-4900066	Handle Screw
3	X-4900081.1.5	1.5 GPM Aerator*

JUST MFG. COMPANY CONTINUES TO MAKE QUALITY AND FUNCTIONALITY A MARK OF THE JUST PRODUCT LINE. TO DO SO REQUIRES THAT WE RESERVE THE RIGHT TO CHANGE PRODUCT INFORMATION WITHOUT NOTICE. DIMENSIONS MAY VARY AND ARE SUBJECT TO CHANGE WITHOUT NOTICE. NO RESPONSIBILITY IS ASSUMED FOR USE OF SUPERCEDED OR VOIDED DATA. FOR THE MOST CURRENT AND ACCURATE INFORMATION REGARDING THE COMPLETE LINE OF JUST SINKS, FAUCETS AND DRAINS, CLICK ON THE **SPEC LINE DRAWINGS** LINK ON OUR WEB SITE AT [www.justmfg.com](http://www.justmfg.com)

**JUST MANUFACTURING COMPANY**

9233 KING STREET . FRANKLIN PARK . ILLINOIS . 60131-2111  
 PH: 847-678-5150 . FAX: 847-678-6817  
 E-MAIL: [custserv@justmfg.com](mailto:custserv@justmfg.com) .  
[www.justmfg.com](http://www.justmfg.com)