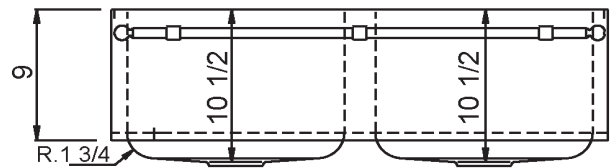
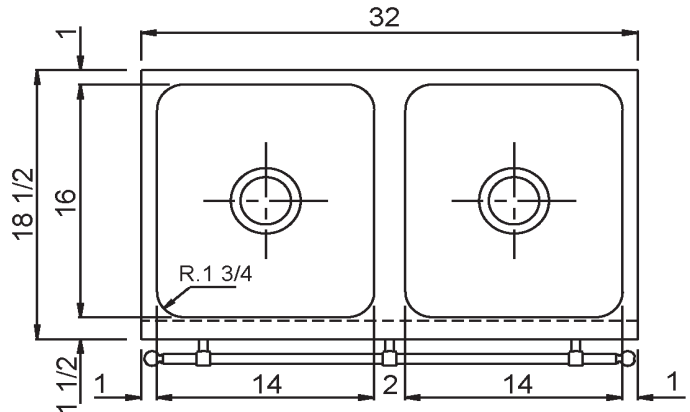
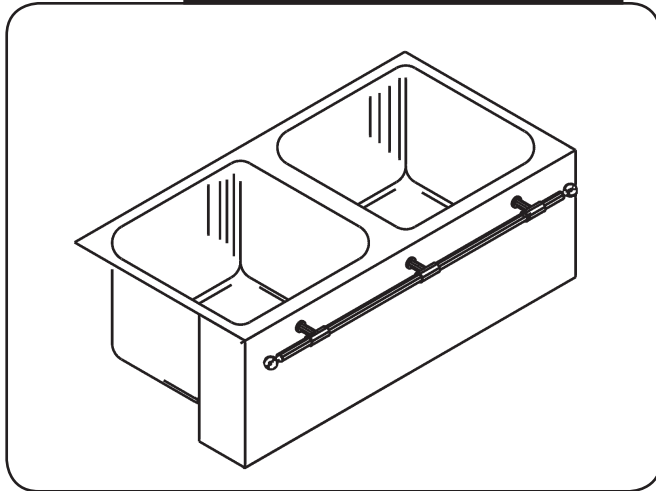




JUBD-18532-A-TB / TC / TS

DESIGNER SERSIES
FARMINGTON COLLECTION
APRON SINK with TOWEL BAR

DESIGNER SERIES



OPENING FOR
J-35 DRAIN

SPECIFICATION

Construction of 18 gauge type 304 stainless steel single draw bowl construction. Apron of 16 gauge type 304 stainless steel. Top deck, interior surfaces and apron polished to a non-porous Hand-Blended Just Finish, with a highlighted bowl rim. Straight-sided compartment with large radius corners. Fully coated underside insulates for sound, and reduces condensation. Drain punch #35 for Just J-35 drain unless otherwise specified.

Polished chrome plated towel bar. Brass plated knobs and bar supports ("TB"); chrome plated knobs and bar supports ("TC"); brushed stainless steel towel bar, supports and knobs ("TS").

19.80
Gallon
Capacity

Capacity Matters

Max ID sizing with straight sided bowl configuration (non tapered sides). Tight corner radius design.

KNOB FINISH MUST BE SPECIFIED:

BRASS CHROME STAINLESS



JUST MFG. COMPANY CONTINUES TO MAKE QUALITY AND FUNCTIONALITY A MARK OF THE JUST PRODUCT LINE. TO DO SO REQUIRES THAT WE RESERVE THE RIGHT TO CHANGE PRODUCT INFORMATION WITHOUT NOTICE. DIMENSIONS MAY VARY AND ARE SUBJECT TO CHANGE WITHOUT NOTICE. NO RESPONSIBILITY IS ASSUMED FOR USE OF SUPERCEDED OR VOIDED DATA. FOR THE MOST CURRENT AND ACCURATE INFORMATION REGARDING THE COMPLETE LINE OF JUST SINKS, FAUCETS AND DRAINS, CLICK ON THE **SPEC LINE DRAWINGS** LINK ON OUR WEB SITE AT www.justmfg.com

APPROVED FOR MANUFACTURING

MODEL NO.: JUBD-18532-A-TB /TC /TS QTY: _____

JOB NAME: _____

TAG/ITEM: _____

CUSTOMER: _____

SIGNATURE: _____

JUST MANUFACTURING COMPANY

9233 KING STREET . FRANKLIN PARK . ILLINOIS . 60131-2111

PH: 847-678-5150 . FAX: 847-678-6817 . E-MAIL: custserv@justmfg.com . www.justmfg.com