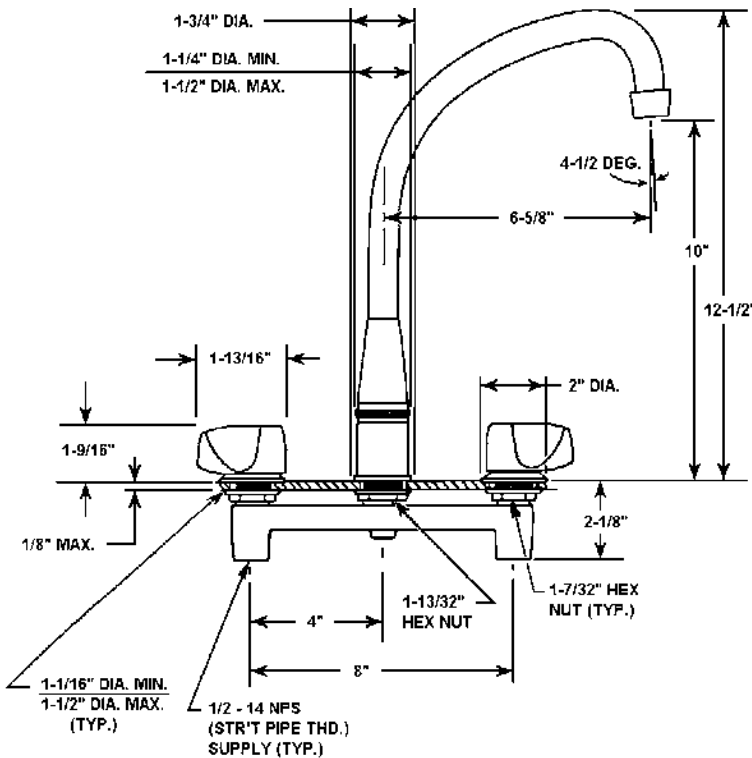




JTR-51-R70°-VR

CONCEALED LEDGEMOUNT

SUBMITTAL DATA



TECHNICAL DATA CONSTRUCTION:

- Concealed ledgemount on 8 inch centers
- Cast brass body
- Spout swing restricted to 70 degrees
- Triple radius swing spout with 10" clearance
- Heavy cast spout cone for added strength
- Replaceable seats
- Brass quarter turn stem units
- Chrome plated die cast teardrop handles
- Equipped with water saving aerator
- Certified by IAPMO R&T to:
 - * NSF/ANSI 61- 2010a
 - * UPC
 - * NSF/ANSI 61- Annex G
 - * IPC
 - * Low Lead
 - * ADA Compliant
 - * ANSI A112.18.1 / CSA B125.1



OPTIONS

HANDLES

- 4" Wrist Blades "W4"
- 6" Wrist Blades "W6"
- Canopy Type "C" (not ADA)
- Acrylic "P" (not ADA)

AERATOR

- 1.0 Flow restricting aerator
- Duo Stream Swivel "B"
- 0.5 Flow restricting aerator
- Rose Spray "J-RS"
- 2.2 Flow restricting aerator

VANDAL RESISTANT

- Aerator "VR-A"
- Handles "VR-H"

FINISH

Polished chrome plate

FLOW RATE

1.5 GPM flow restricting aerator

A.D.A. COMPLIANCE

Yes

VARIANTS

JTR-51 = JTR-51-R70° w/o Restricted swing spout

APPROVED FOR MANUFACTURING	
MODEL NO.:	JTR-51-R70 QTY: _____
JOB NAME:	_____
TAG/ITEM:	_____
CUSTOMER:	_____
SIGNATURE:	_____

JUST MFG. COMPANY CONTINUES TO MAKE QUALITY AND FUNCTIONALITY A MARK OF THE JUST PRODUCT LINE. WE RESERVE THE RIGHT TO CHANGE PRODUCT INFORMATION WITHOUT NOTICE. DIMENSIONS MAY CHANGE AND MAY BE SUBJECT TO CHANGE WITHOUT NOTICE. NO RESPONSIBILITY IS ASSUMED FOR USE OF SUPERCEDED OR VOIDED DATA. JUST MFG. CO. SINKS ARE MADE IN THE U.S.A. WHEN COMPARING OTHER BRAND PRODUCTS, BE SURE TO COMPARE USA QUALITY ALONG WITH FEATURES AND DIMENSIONS.