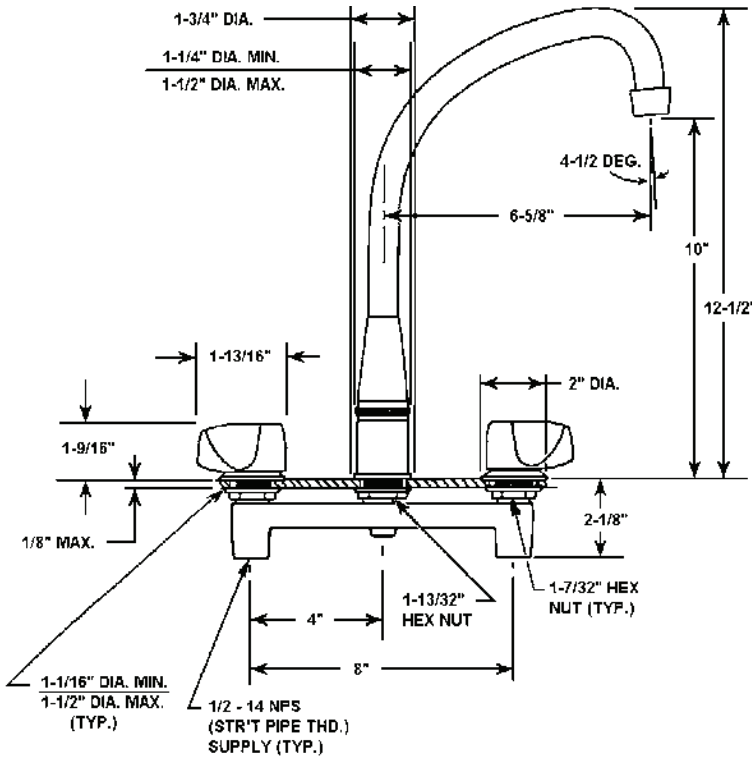




JTR-51-R70°

FAUCET GROUP CONCEALED LEDGEMOUNT

SUBMITTAL DATA



TECHNICAL DATA CONSTRUCTION:

- Concealed ledgemount on 8 inch centers
- Cast brass body
- Spout swing restricted to 70 degrees
- Triple radius swing spout with 10" clearance
- Heavy cast spout cone for added strength
- Replaceable seats

- Brass quarter turn stem units
- Chrome plated die cast teardrop handles
- Equipped with water saving aerator
- Certified by IAPMO R&T to:
 - * NSF/ANSI 61- 2010a
 - * NSF/ANSI 61- Annex G
 - * Low Lead
 - * ANSI A112.18.1 / CSA B125.1
 - * UPC
 - * IPC
 - * ADA Compliant



OPTIONS

HANDLES

- 4" Wrist Blades "W4"
- 6" Wrist Blades "W6"
- Canopy Type "C" (not ADA)
- Acrylic "P" (not ADA)

AERATOR

- 1.0 Flow restricting aerator
- 0.5 Flow restricting aerator
- 2.2 Flow restricting aerator

- Duo Stream Swivel "B"
- Rose Spray "J-RS"

VANDAL RESISTANT

- Aerator "VR-A"
- Handles "VR-H"

FINISH

Polished chrome plate

FLOW RATE

1.5 GPM flow restricting aerator

A.D.A. COMPLIANCE

Yes

VARIANTS

JTR-51 = JTR-51-R70° w/o Restricted swing spout

APPROVED FOR MANUFACTURING	
MODEL NO.:	JTR-51-R70 QTY: _____
JOB NAME:	_____
TAG/ITEM:	_____
CUSTOMER:	_____
SIGNATURE:	_____

JUST MFG. COMPANY CONTINUES TO MAKE QUALITY AND FUNCTIONALITY A MARK OF THE JUST PRODUCT LINE. WE RESERVE THE RIGHT TO CHANGE PRODUCT INFORMATION WITHOUT NOTICE. DIMENSIONS MAY CHANGE AND MAY BE SUBJECT TO CHANGE WITHOUT NOTICE. NO RESPONSIBILITY IS ASSUMED FOR USE OF SUPERCEDED OR VOIDED DATA. JUST MFG. CO. SINKS ARE MADE IN THE U.S.A. WHEN COMPARING OTHER BRAND PRODUCTS, BE SURE TO COMPARE USA QUALITY ALONG WITH FEATURES AND DIMENSIONS.

JUST MANUFACTURING COMPANY

9233 KING STREET . FRANKLIN PARK . ILLINOIS . 60131-2111

PH: 847-678-5150

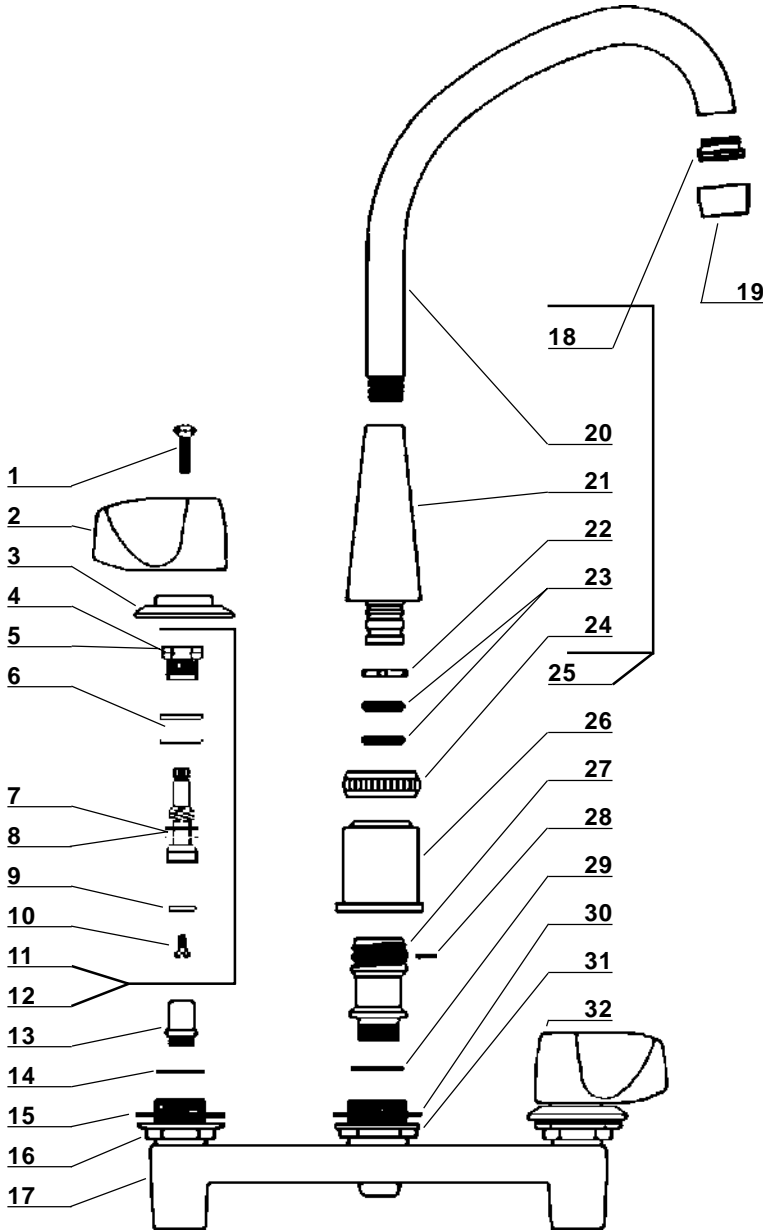
FAX: 847-678-6817

E-MAIL: custserv@justmfg.com . www.justmfg.com



FAUCET GROUP

CONCEALED LEDGEMOUNT



Item No.	Part No.	Description
1	107-H	Handle Screw
2	519-L	Teardrop Handle
3	PF-524-J	Escutcheon
4	454-EWC	Bonnet (Cold Side)
5	454-EWH	Bonnet (Hot Side)
6	1038-453	O-Ring
7	454-FL	Stem (Left Side)
8	454-FR	Stem (Right Side)
9	901-WN	Seat Washer
10	104	Seat Washer Screw
11	SU-454-EL	Stem & Bonnet Assembly (Left)
12	SU-454-ER	Stem & Bonnet Assembly (Right)
13	263-C	Replaceable Seat
14	1028-Y	Gasket
15	491-U	Corner Gasket
16	53-AS	Locknut
17	1959-J	Body (not sold separately)
18	PF-166-U	Adaptor
19	30-M	Aerator
20	PF-357-TR	Triple Radius Spout
21	PF-357-ADR	Spout Cone Adaptor
22	166-F	Snap Ring
23	1038-K	"O" Rings
24	PF-782-J	Spout Nut
25	SU-257-JSA70	Restricted Swing Spout Assembly
26	PF-1012-J	Escutcheon
27	2985-J-70	Centerpiece
28	113-K	Set Screw
29	402-J	Washer (Fiber)
30	491-S	Gasket
31	53-BS	Locknut
32	519-R	Teardrop Handle

JUST MFG. COMPANY CONTINUES TO MAKE QUALITY AND FUNCTIONALITY A MARK OF THE JUST PRODUCT LINE. TO DO SO REQUIRES THAT WE RESERVE THE RIGHT TO CHANGE PRODUCT INFORMATION WITHOUT NOTICE. DIMENSIONS MAY VARY AND ARE SUBJECT TO CHANGE WITHOUT NOTICE. NO RESPONSIBILITY IS ASSUMED FOR USE OF SUPERCEDED OR VOIDED DATA. FOR THE MOST CURRENT AND ACCURATE INFORMATION REGARDING THE COMPLETE LINE OF JUST SINKS, FAUCETS AND DRAINS, CLICK ON THE *SPEC LINE DRAWINGS* LINK ON OUR WEB SITE AT www.justmfg.com

JUST MANUFACTURING COMPANY
 9233 KING STREET . FRANKLIN PARK . ILLINOIS . 60131-2111
 PH: 847-678-5150 . FAX: 847-678-6817
 E-MAIL: custserv@justmfg.com . www.justmfg.com