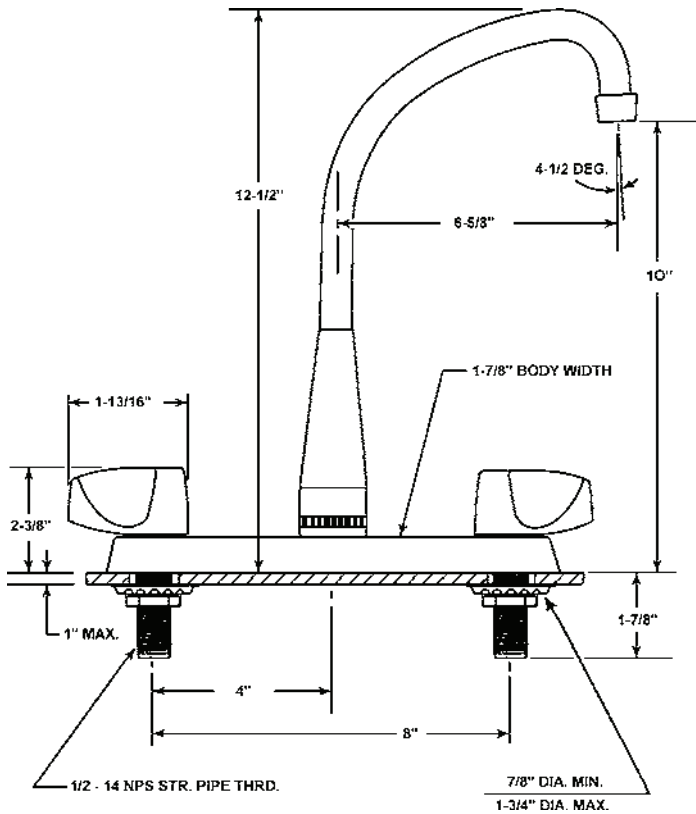




JTR-50 FAUCET GROUP TOPMOUNT

SUBMITTAL DATA



TECHNICAL DATA CONSTRUCTION:

- Topmount faucet on 8 inch centers
- Solid cast brass body
- Triple radius swivel spout with 10" clearance
- Heavy cast spout cone for added strength
- Replaceable reinforced nitrile rubber packings
- Replaceable Buna-N seat washers
- Brass quarter turn stem units
- Chrome plated die cast teardrop handles
- Equipped with water saving aerator
- Certified by IAPMO R&T to:
 - * NSF/ANSI 61- 2010a
 - * NSF/ANSI 61- Annex G
 - * Low Lead
 - * ANSI A112.18.1 / CSA B125.1
 - * UPC
 - * IPC
 - * ADA Compliant



OPTIONS

HANDLES

- 4" Wrist Blades "W4"
- 6" Wrist Blades "W6"
- Canopy Type "C" (not ADA)
- Acrylic "P" (not ADA)

AERATOR

- 1.0 Flow restricting aerator
- 0.5 Flow restricting aerator
- 2.2 Flow restricting aerator
- Duo Stream Swivel "B"
- Rose Spray "J-RS"

VANDAL RESISTANT

- Aerator "VR-A"
- Handles "VR-H"

FINISH

Polished chrome plate

FLOW RATE

1.5 GPM flow restricting aerator

A.D.A. COMPLIANCE

Yes

VARIANTS

JTR-55 = JTR-50 w/ hose & spray

APPROVED FOR MANUFACTURING	
MODEL NO.:	JTR-50 QTY: _____
JOB NAME:	_____
TAG/ITEM:	_____
CUSTOMER:	_____
SIGNATURE:	_____

JUST MFG. COMPANY CONTINUES TO MAKE QUALITY AND FUNCTIONALITY A MARK OF THE JUST PRODUCT LINE. WE RESERVE THE RIGHT TO CHANGE PRODUCT INFORMATION WITHOUT NOTICE. DIMENSIONS MAY CHANGE AND MAY BE SUBJECT TO CHANGE WITHOUT NOTICE. NO RESPONSIBILITY IS ASSUMED FOR USE OF SUPERCEDED OR VOIDED DATA. JUST MFG. CO. SINKS ARE MADE IN THE U.S.A. WHEN COMPARING OTHER BRAND PRODUCTS, BE SURE TO COMPARE USA QUALITY ALONG WITH FEATURES AND DIMENSIONS.

JUST MANUFACTURING COMPANY

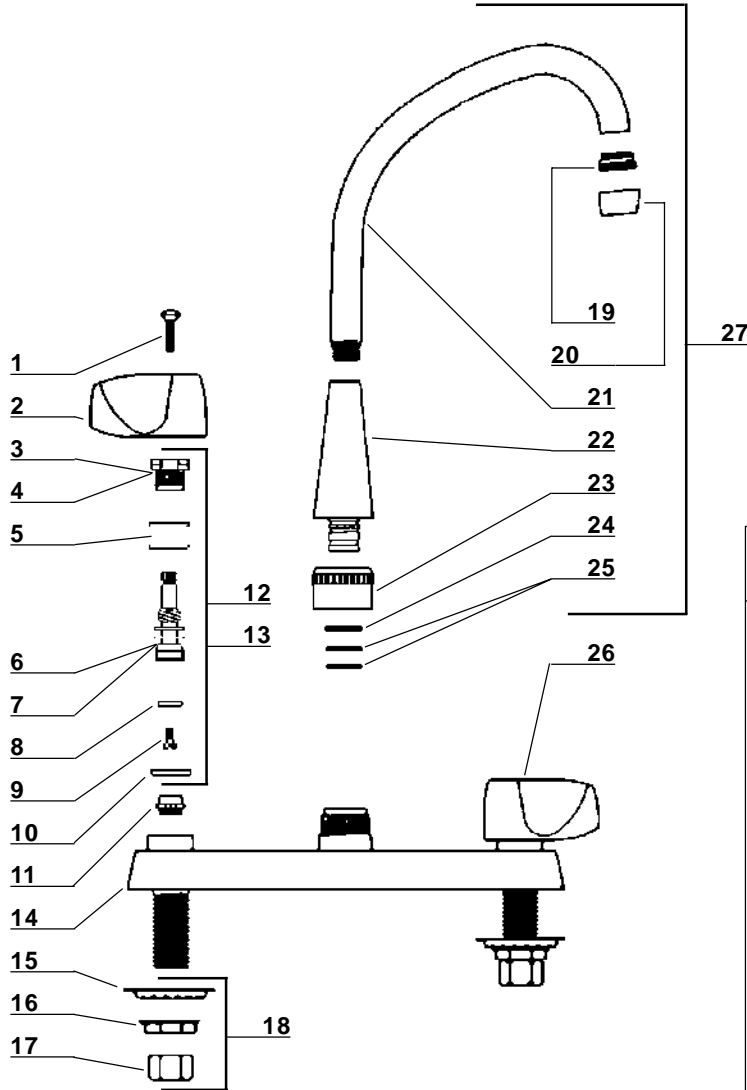
9233 KING STREET . FRANKLIN PARK . ILLINOIS . 60131-2111

PH: 847-678-5150 . FAX: 847-678-6817 . E-MAIL: custserv@justmfg.com . www.justmfg.com



FAUCET GROUP

TOPMOUNT



Item No.	Part No.	Description
1	107-H	Handle Screw
2	G-519-L	Teardrop Handle
3	PF-524-J	Escutcheon
4	454-EWC	Bonnet (Cold Side)
5	454-EWH	Bonnet (Hot Side)
6	1038-453	O-Ring
7	454-FL	Stem (Left Side)
8	454-FR	Stem (Right Side)
9	901-WN	Seat Washer
10	104	Seat Washer Screw
11	SU-454-EL	Stem & Bonnet Assembly (Left)
12	SU-454-ER	Stem & Bonnet Assembly (Right)
13	263-C	Replaceable Seat
14	1028-Y	Gasket
12	SU-454-EL	Stem & Bonnet Assembly (Left)
13	SU-454-ER	Stem & Bonnet Assembly (Right)
14	1947	Body
15	54	Steel Washer
16	7133-AL	Locknut
17	4015	Coupling Nut
18	G-913-A	Nut & Washer Assembly
19	PF-166-U	Adapter
20	30-M	Aerator
21	PF-357-TR	Triple Radius Spout
22	PF-357-AD	Spout Cone Adaptor
23	PF-782-JL	Spout Nut
24	166-F	Snap Ring
25	1038-K	"O" Rings
26	G-519-R	Teardrop Handle (Right)
27	SU-357-JSA	Spout Assembly

JUST MFG. COMPANY CONTINUES TO MAKE QUALITY AND FUNCTIONALITY A MARK OF THE JUST PRODUCT LINE. TO DO SO REQUIRES THAT WE RESERVE THE RIGHT TO CHANGE PRODUCT INFORMATION WITHOUT NOTICE. DIMENSIONS MAY VARY AND ARE SUBJECT TO CHANGE WITHOUT NOTICE. NO RESPONSIBILITY IS ASSUMED FOR USE OF SUPERCEDED OR VOIDED DATA. FOR THE MOST CURRENT AND ACCURATE INFORMATION REGARDING THE COMPLETE LINE OF JUST SINKS, FAUCETS AND DRAINS, CLICK ON THE **SPEC LINE DRAWINGS** LINK ON OUR WEB SITE AT www.justmfg.com

JUST MANUFACTURING COMPANY
 9233 KING STREET . FRANKLIN PARK . ILLINOIS . 60131-2111
 PH: 847-678-5150 . FAX: 847-678-6817
 E-MAIL: custserv@justmfg.com . www.justmfg.com