

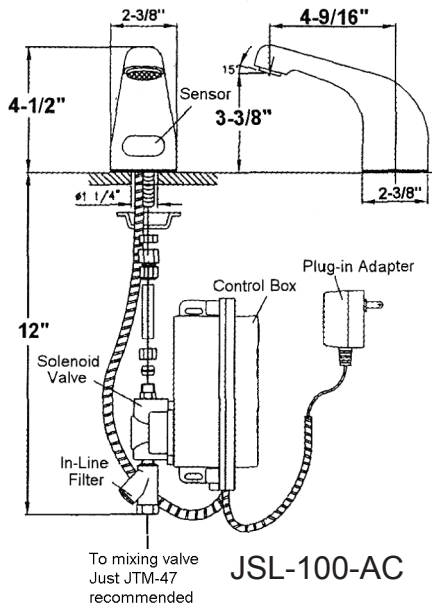


JSL-100-AC / JSL-100-B

FAUCET GROUP

LAVATORY SENSOR FAUCET
AC or BATTERY POWER

SUBMITTAL DATA

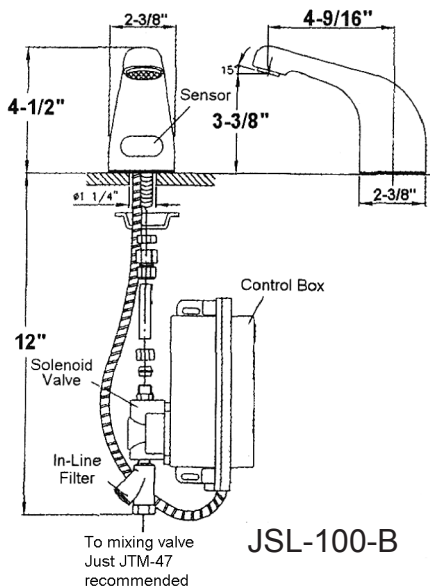


JSL-100-AC



TECHNICAL DATA CONSTRUCTION:

- Single hole deck mount - non-mixing
- Senor range - 6" - 30" - Preset/Adjustable
- Automatic time-out - Preset/adjustable to 0, 15, 30 or 60 sec.
- Shut-off delay - Preset - Adjustable 1 to to 8 sec.
- In-line filter with clean-out trap
- Slow closing, piston operated solenoid
- Control circuit- Solid state, AC or Battery (field switchable)
- Solenoid valve - VSI silicone elastomer piston seal
- 6V DC, normally closed
- .4W (idle), 5W (in use)
- Operating pressure - 5psi to 125 psi
- Control module- wall mountable
- Control/power cable - armored, vandal resistant
- AC Mode - Power Adapter (UL/CSA)
 - Standard plug-in: Input AC 120V 60Hz or 220V
 - Output DC 12V. 0.8A/Class 2
- Power cable: Armored, vandal resistant
- Battery Mode - (UL/CSA)
 - Batteries - uses (4) AA Alkaline batteries
 - Battery Life - 400,000 on/off cycles, up to 4yrs



JSL-100-B

FLOW RATE

1.5 GPM Laminar Flow Control - vandal resistant

FINISH

Chrome plated

OPTIONS

Multi-unit adapter - serves up to (8) faucets
Input AC 120V, Output DC 12V, 3A

JUST MFG. COMPANY CONTINUES TO MAKE QUALITY AND FUNCTIONALITY A MARK OF THE JUST PRODUCT LINE. TO DO SO REQUIRES THAT WE RESERVE THE RIGHT TO CHANGE PRODUCT INFORMATION WITHOUT NOTICE. DIMENSIONS MAY VARY AND ARE SUBJECT TO CHANGE WITHOUT NOTICE. NO RESPONSIBILITY IS ASSUMED FOR USE OF SUPERCEDED OR VOIDED DATA. FOR THE MOST CURRENT AND ACCURATE INFORMATION REGARDING THE COMPLETE LINE OF JUST SINKS, FAUCETS AND DRAINS, CLICK ON THE **SPEC LINE DRAWINGS** LINK ON OUR WEB SITE AT www.justmfg.com

APPROVED FOR MANUFACTURING	
MODEL NO.:	QTY:
JOB NAME:	
TAG/ITEM:	
CUSTOMER:	
SIGNATURE:	

JUST MANUFACTURING COMPANY

9233 KING STREET . FRANKLIN PARK . ILLINOIS . 60131-2111

PH: 847-678-5150 . FAX: 847-678-6817 . E-MAIL: custserv@justmfg.com . www.justmfg.com