



# JSGN-8-B

## FAUCET GROUP

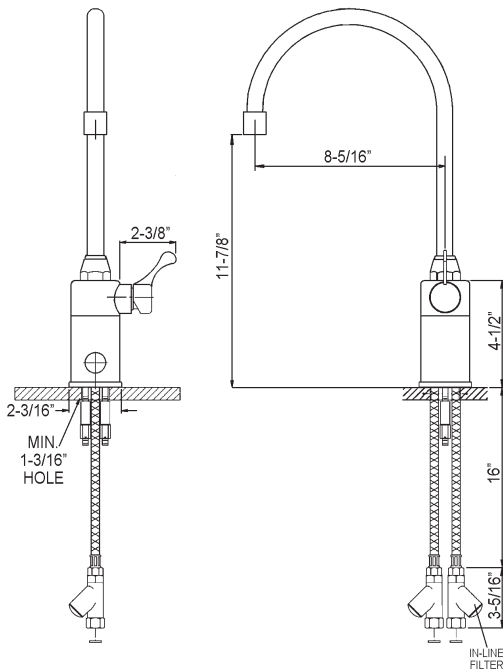
DECK MOUNT - SENSOR FAUCET  
with TEMPERATURE ADJUSTMENT  
and MANUAL OVERRIDE - BATTERY POWER



## TECHNICAL DATA

### CONSTRUCTION:

Single hole deck mount - mixing faucet.  
Solid brass construction.  
Polished chrome plated.  
Above deck access to major faucet components.  
Integrated ceramic mixing valve with built-in checks.  
Sensor operation on/off.  
Temperature control allows user to adjust temperature.  
Manual override allow alternate temperature selection and use without power  
Sensor range - 17" reduces false starts.  
Automatic time-out - 30 seconds conserves water.  
Above deck temperature adjustment.  
In-line filter with clean-out trap  
Slow closing solenoid valve.  
Control circuit- Solid state  
Solenoid valve - VSI silicone elastomer piston seal  
6V DC, normally closed  
.2W (idle), 3W (in use)  
Operating pressure - 5psi to 125 psie - Power  
Battery Mode - (UL/CSA)  
Batteries - uses (4) AA Alkaline batteries  
Battery Life - 400,000 on/off cycles, up to 4yrs



### FLOW RATE

0.5 GPM Laminar Flow Control

### FINISH

Chrome plated

### OPTIONS

"AC" - AC Power  
Spout - 5-5/8" Reach-6" high spout

### CERTIFICATIONS

Faucet - Certified to NSF 372-Low Lead

APPROVED FOR MANUFACTURING

MODEL NO.: **JSGN-8-B** QTY: \_\_\_\_\_

JOB NAME: \_\_\_\_\_

TAG/ITEM: \_\_\_\_\_

CUSTOMER: \_\_\_\_\_

SIGNATURE: \_\_\_\_\_

JUST MFG. COMPANY CONTINUES TO MAKE QUALITY AND FUNCTIONALITY A MARK OF THE JUST PRODUCT LINE. TO DO SO REQUIRES THAT WE RESERVE THE RIGHT TO CHANGE PRODUCT INFORMATION WITHOUT NOTICE. DIMENSIONS MAY VARY AND ARE SUBJECT TO CHANGE WITHOUT NOTICE. NO RESPONSIBILITY IS ASSUMED FOR USE OF SUPERCEDED OR VOIDED DATA. FOR THE MOST CURRENT AND ACCURATE INFORMATION REGARDING THE COMPLETE LINE OF JUST SINKS, FAUCETS AND DRAINS, CLICK ON THE **SPEC LINE DRAWINGS** LINK ON OUR WEB SITE AT [www.justmfg.com](http://www.justmfg.com)

JUST MANUFACTURING COMPANY

9233 KING STREET . FRANKLIN PARK . ILLINOIS . 60131-2111

PH: 847-678-5150 . FAX: 847-678-6817 . E-MAIL: [custserv@justmfg.com](mailto:custserv@justmfg.com) . [www.justmfg.com](http://www.justmfg.com)