



# JSGN-18-AC / JSGN-18-B

## FAUCET GROUP

DECK MOUNT - SENSOR FAUCET  
AC or BATTERY POWER

SUBMITTAL DATA



### TECHNICAL DATA

#### CONSTRUCTION:

- Single hole deck mount - mixing faucet.
- Solid brass construction.
- Polished chrome plated.
- Above deck access to major faucet components.
- Integrated ceramic mixing valve with built-in checks.
- Sensor operation on/off.
- Sensor range - up to 17" reduces false starts.
- Automatic time-out - 30 seconds conserves water.
- Above deck temperature adjustment.
- In-line filter with clean-out trap
- Slow closing solenoid valve.
- Control circuit- Solid state, AC or Battery (field switchable)
- Solenoid valve - VSI silicone elastomer piston seal
  - 6V DC, normally closed
  - .2W (idle), 3W (in use)
  - Operating pressure - 5psi to 125 psi - Power

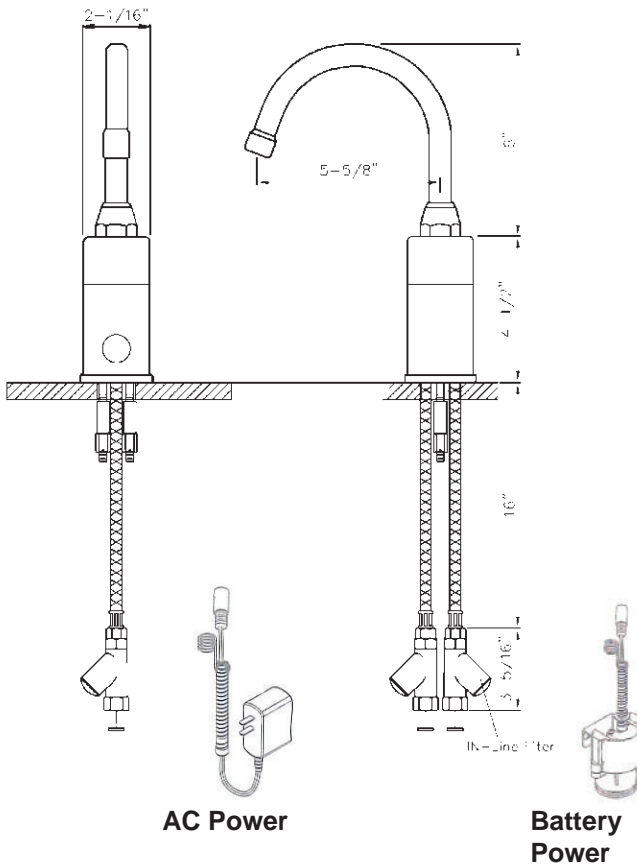
#### Adapter (UL/CSA)

Standard plug-in: Input AC 120V 60Hz or 220V  
Output DC 12V. 0.8A/Class 2

Power cable: Armored, vandal resistant

#### Battery Mode - (UL/CSA)

Batteries - uses (4) AA Alkaline batteries  
Battery Life - 400,000 on/off cycles, up to 4yrs



#### FLOW RATE

0.5 GPM Laminar Flow Control

#### FINISH

Chrome plated

#### OPTIONS

"B" - Battery power / "AC" - AC Power  
Spout - 5-5/8" Reach-6" high spout

#### CERTIFICATIONS

Faucet - Certified to NSF 372-Low Lead  
Power Supply - (UL/CSA)

APPROVED FOR MANUFACTURING

MODEL NO.: **JSGN-18** QTY: \_\_\_\_\_

JOB NAME: \_\_\_\_\_

TAG/ITEM: \_\_\_\_\_

CUSTOMER: \_\_\_\_\_

SIGNATURE: \_\_\_\_\_

JUST MFG. COMPANY CONTINUES TO MAKE QUALITY AND FUNCTIONALITY A MARK OF THE JUST PRODUCT LINE. TO DO SO REQUIRES THAT WE RESERVE THE RIGHT TO CHANGE PRODUCT INFORMATION WITHOUT NOTICE. DIMENSIONS MAY VARY AND ARE SUBJECT TO CHANGE WITHOUT NOTICE. NO RESPONSIBILITY IS ASSUMED FOR USE OF SUPERCEDED OR VOIDED DATA. FOR THE MOST CURRENT AND ACCURATE INFORMATION REGARDING THE COMPLETE LINE OF JUST SINKS, FAUCETS AND DRAINS, CLICK ON THE **SPEC LINE DRAWINGS** LINK ON OUR WEB SITE AT [www.justmfg.com](http://www.justmfg.com)

JUST MANUFACTURING COMPANY

9233 KING STREET . FRANKLIN PARK . ILLINOIS . 60131-2111

PH: 847-678-5150 . FAX: 847-678-6817 . E-MAIL: [custserv@justmfg.com](mailto:custserv@justmfg.com) . [www.justmfg.com](http://www.justmfg.com)