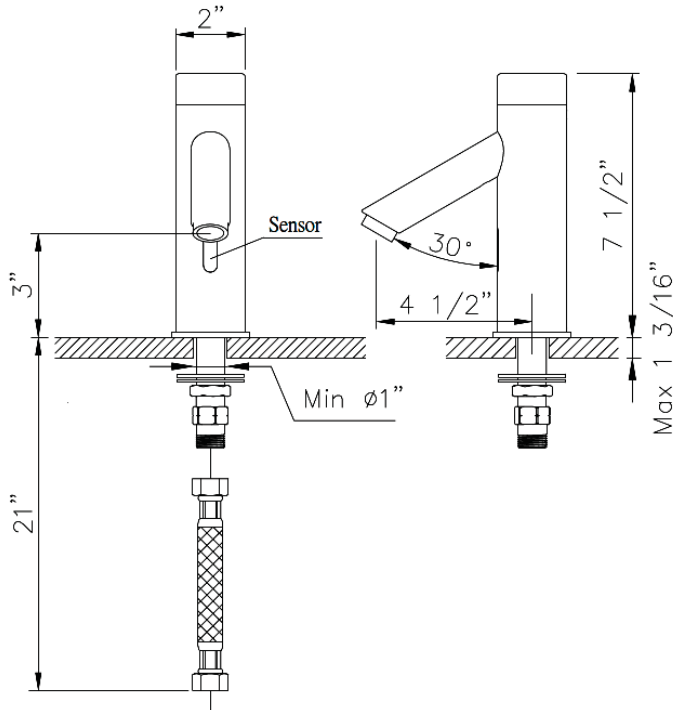




JSG-7000

FAUCET GROUP SOLAR POWER SENSOR FAUCET with BATTERY BACK-UP

SUBMITTAL DATA



TECHNICAL DATA

CONSTRUCTION:

- ADA Compliant
- Deck mount - single hole.
- Above deck access to all major component parts.
- Chrome plated, solid brass construction.
- Solar energy module 6V DC - with battery back-up.
- Low battery indicator light.
- Flow control - 0.5 GPM Standard.
- Self-calibrating sensor range 6" - 8".
- In-line filter for easy cleaning.
- Slow close solenoid - without water hammer.
- VSI silicone elastomer piston seals.
- Deck plates available -Optional (4" and 8") for three point vandal resistant mounting.
- Meets ANSI/ASME A112.18.1 M-1989

FINISH

Polished chrome

VARIANTS

None

JUST MFG. COMPANY CONTINUES TO MAKE QUALITY AND FUNCTIONALITY A MARK OF THE JUST PRODUCT LINE. TO DO SO REQUIRES THAT WE RESERVE THE RIGHT TO CHANGE PRODUCT INFORMATION WITHOUT NOTICE. DIMENSIONS MAY VARY AND ARE SUBJECT TO CHANGE WITHOUT NOTICE. NO RESPONSIBILITY IS ASSUMED FOR USE OF SUPERCEDED OR VOIDED DATA. FOR THE MOST CURRENT AND ACCURATE INFORMATION REGARDING THE COMPLETE LINE OF JUST SINKS, FAUCETS AND DRAINS, CLICK ON THE **SPEC LINE DRAWINGS** LINK ON OUR WEB SITE AT www.justmfg.com

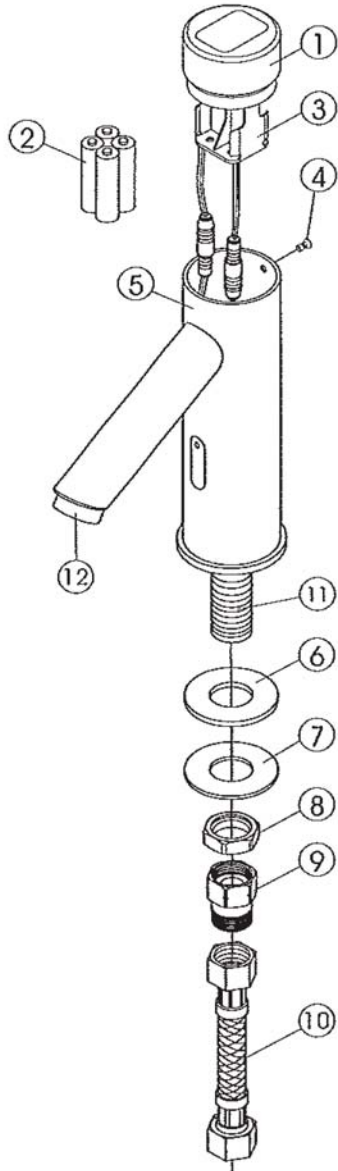
APPROVED FOR MANUFACTURING	
MODEL NO.:	JSG-7000
QTY:	_____
JOB NAME:	_____
TAG/ITEM:	_____
CUSTOMER:	_____
SIGNATURE:	_____

JUST MANUFACTURING COMPANY 9233 KING STREET . FRANKLIN PARK . ILLINOIS . 60131-2111

PH: 847-678-5150 . FAX: 847-678-6817 . E-MAIL: custserv@justmfg.com . www.justmfg.com

JSG-7000

SOLAR FAUCET with BATTERY BACK-UP



Item No.	Part No.	Description
1	7002-01	Solar cell assembly
2	7002-02	Top Cap asseibly (solar)
3	J7006-03	Battery holder
4	H7005-4	Solar PCB/sensor
5	7005-00	Flow control
6	H7000-06	Solenoid valve
7	H7007-01	Pressure release valve
8	7000-80	Diaphragm assembly
9	7009-19	Filter screen
10	7010-02	Supply tube

©2013-JUST MFG

JUST MANUFACTURING COMPANY

9233 KING STREET . FRANKLIN PARK . ILLINOIS . 60131-2111

PH: 847-678-5150 . FAX: 847-678-6817 . E-MAIL: custserv@justmfg.com . www.justmfg.com