

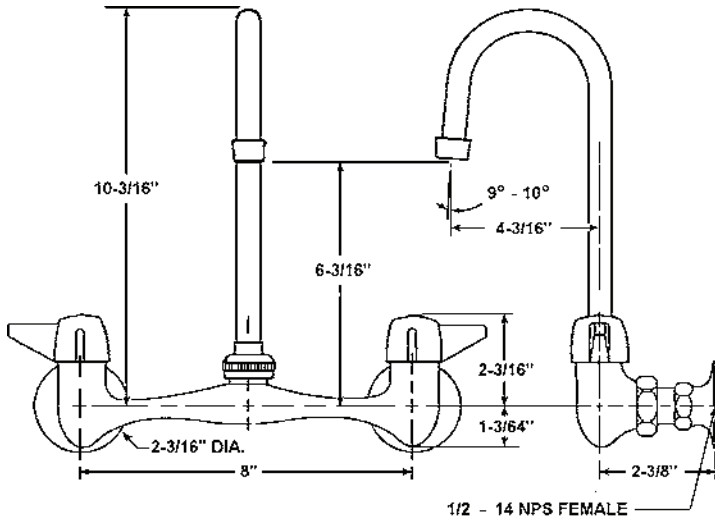


JS-47-TGSA

FAUCET GROUP

WALL MOUNTED SINK FAUCET

SUBMITTAL DATA



TECHNICAL DATA

CONSTRUCTION:

- Exposed wallmount on 8 inch centers
- Solid, heavy duty cast brass body
- Brass swivel gooseneck spout
- Brass quarter turn quick compression stem units
- Replaceable seats
- Replaceable reinforced nitrile rubber packing
- Replaceable Buna-N seat washers
- Chrome plated die cast lever handles
- Handles are indexed "H" & "C"
- Equipped with water saving aerator

Certified by IAPMO R&T to:

- * NSF/ANSI 61- 2010a
- * NSF/ANSI 61- Annex G
- * Low Lead
- * ANSI A112.18.1 / CSA B125.1
- * UPC
- * IPC
- * ADA Compliant



FINISH

Polished chrome plate

FLOW RATE

1.5 GPM flow restricting aerator

A.D.A. COMPLIANT

Yes

VARIANTS

None

JUST MFG. COMPANY CONTINUES TO MAKE QUALITY AND FUNCTIONALITY A MARK OF THE JUST PRODUCT LINE. WE RESERVE THE RIGHT TO CHANGE PRODUCT INFORMATION WITHOUT NOTICE. DIMENSIONS MAY CHANGE AND MAY BE SUBJECT TO CHANGE WITHOUT NOTICE. NO RESPONSIBILITY IS ASSUMED FOR USE OF SUPERCEDED OR VOIDED DATA. JUST MFG. CO. SINKS ARE MADE IN THE U.S.A. WHEN COMPARING OTHER BRAND PRODUCTS, BE SURE TO COMPARE USA QUALITY ALONG WITH FEATURES AND DIMENSIONS.

OPTIONS	
AERATORS / FLOW CONTROL	
0.5 GPM	Laminar Flow
1.0 GPM	Swivel "B"
HANDLES	
W4 - 4" Wrist Blades	
W6 - 6" Wrist Blades	
VANDAL REISTANT	
Handles - VR-H	
Aerator - VR-A	

APPROVED FOR MANUFACTURING

MODEL NO.: **JS-47-TGSA** QTY: _____

JOB NAME: _____

TAG/ITEM: _____

CUSTOMER: _____

SIGNATURE: _____

JUST MANUFACTURING COMPANY

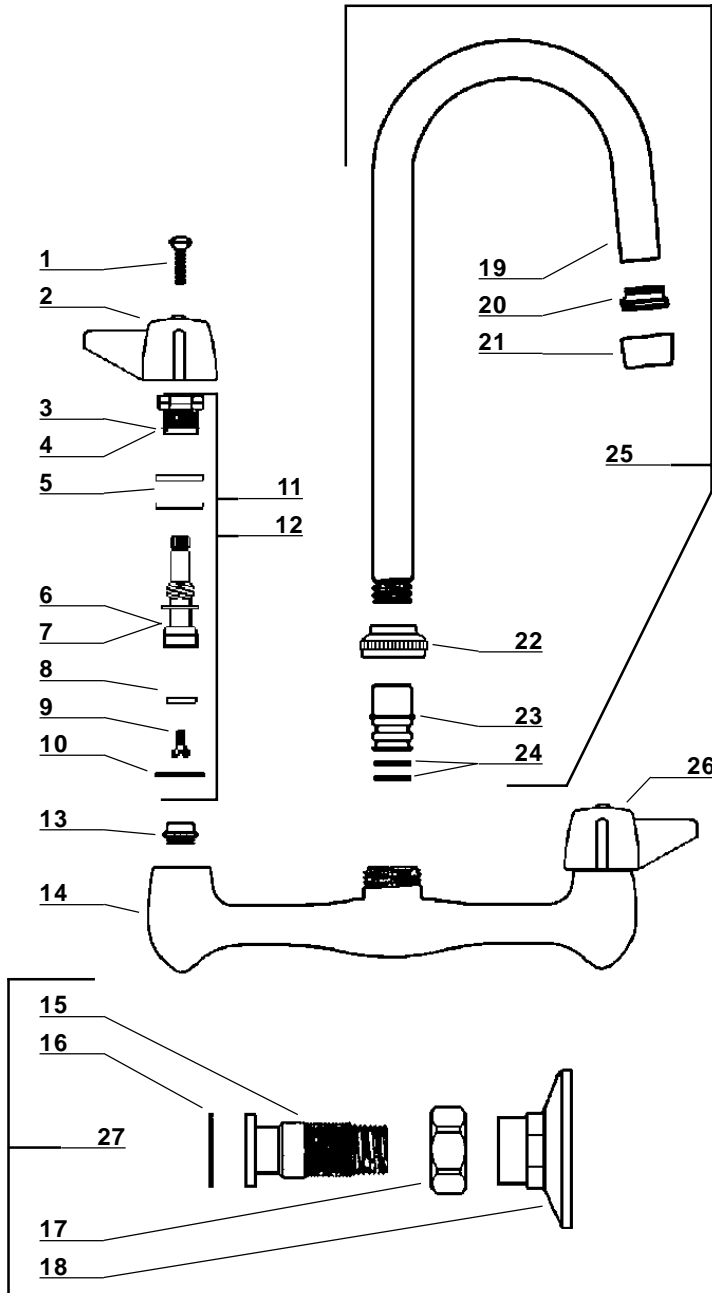
9233 KING STREET . FRANKLIN PARK . ILLINOIS . 60131-2111

PH: 847-678-5150 . FAX: 847-678-6817 . E-MAIL: custserv@justmfg.com . www.justmfg.com



FAUCET GROUP

WALL MOUNTED SINK FAUCET



Item No.	Part No.	Description
1	107-F	Handle Screw
2	523-H	Handle - Hot
3	454-EWC	Bonnet (Cold Side)
4	454-EWH	Bonnet (Hot Side)
5	1038-453	O-Ring
6	454-FL	Stem (Cold Side)
7	454-FR	Stem (Hot Side)
8	901-WN	Seat Washer
9	104	Seat Washer Screw
10	1028-Y	Gasket
11	SU-454-EL	Stem Sub-Unit (Cold Side)
12	SU-454-ER	Stem Sub-Unit (Hot Side)
13	263-BC	Replaceable Seat
14	2831-CP	Body
15	2846	Male Shank
16	940-TR	Rubber Washer
17	PF-2843-49	Coupling Nut
18	1146	Flange
19	PF-157-GA	Spout
20	PF-166-U	Adaptor
21	30-M	Aerator
22	PF-782-DES	Spout Nut
23	PF-741-DO	Adaptor
24	1038-KN	O-Ring
25	SU-157-GSA	Gooseneck Spout Assembly
26	523-C	Handle - Cold
27	SU-2846	Mounting Assembly

JUST MFG. COMPANY CONTINUES TO MAKE QUALITY AND FUNCTIONALITY A MARK OF THE JUST PRODUCT LINE. TO DO SO REQUIRES THAT WE RESERVE THE RIGHT TO CHANGE PRODUCT INFORMATION WITHOUT NOTICE. DIMENSIONS MAY VARY AND ARE SUBJET TO CHANGE WITHOUT NOTICE. NO RESPONSIBILITY IS ASSUMED FOR USE OF SUPERCEDED OR VOIDED DATA. FOR THE MOST CURRENT AND ACCURATE INFORMATION REGARDING THE COMPLETE LINE OF JUST SINKS, FAUCETS AND DRAINS, CLICK ON THE **SPEC LINE DRAWINGS** LINK ON OUR WEB SITE AT www.justmfg.com

JUST MANUFACTURING COMPANY
 9233 KING STREET . FRANKLIN PARK . ILLINOIS . 60131-2111
 PH: 847-678-5150 . FAX: 847-678-6817
 E-MAIL: custserv@justmfg.com . www.justmfg.com