



JRL-2900-DA

FAUCET GROUP

LAVATORY FAUCET

Single Handle - Chrome
with Pop-up Drain

SUBMITTAL DATA

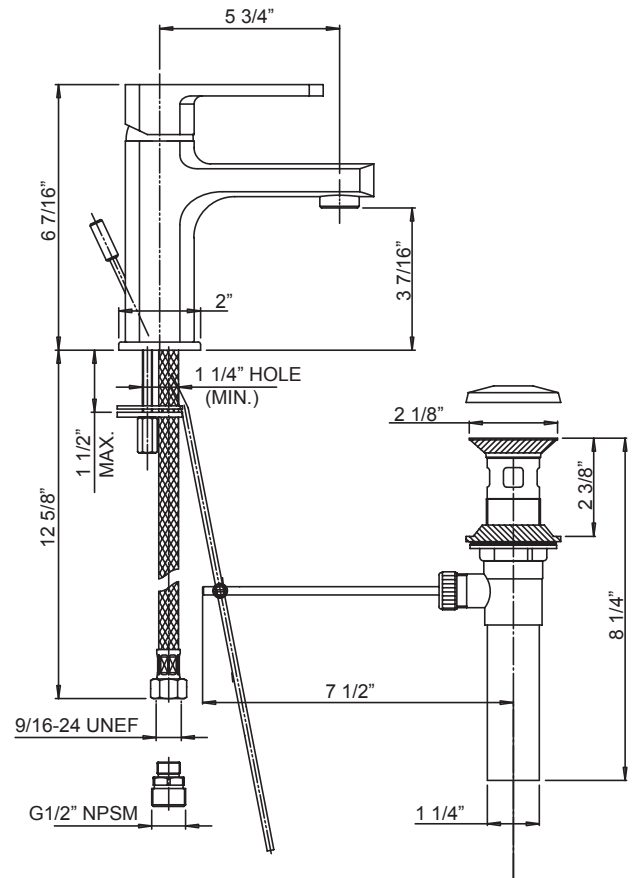


Features:

- PVD Polished chrome
- Lavatory faucet
- Single handle
- Ceramic disc cartridge
- Quarter turn valve
- ADA Compliant lever handle
- Pop-up drain included
- Single hole installation
- Deck plate included for 4" centerset installation.
- 1.5 GPM aerator

Standards

- ASME A112.18.1



APPROVED FOR MANUFACTURING

MODEL NO.: JRL-2900-DA QTY: _____

JOB NAME: _____

TAG/ITEM: _____

CUSTOMER: _____

SIGNATURE: _____

JUST MFG. COMPANY CONTINUES TO MAKE QUALITY AND FUNCTIONALITY A MARK OF THE JUST PRODUCT LINE. TO DO SO REQUIRES THAT WE RESERVE THE RIGHT TO CHANGE PRODUCT INFORMATION WITHOUT NOTICE. DIMENSIONS MAY VARY AND ARE SUBJECT TO CHANGE WITHOUT NOTICE. NO RESPONSIBILITY IS ASSUMED FOR USE OF SUPERCEDED OR VOIDED DATA. FOR THE MOST CURRENT AND ACCURATE INFORMATION REGARDING THE COMPLETE LINE OF JUST SINKS, FAUCETS AND DRAINS, CLICK ON THE **SPEC LINE DRAWINGS** LINK ON OUR WEB SITE AT www.justmfg.com

JUST MANUFACTURING COMPANY

9233 KING STREET . FRANKLIN PARK . ILLINOIS . 60131-2111

PH: 847-678-5150 . FAX: 847-678-6817 . E-MAIL: custserv@justmfg.com . www.justmfg.com