



JRL-1191-N

FAUCET GROUP

WIDESPREAD KITCHEN FAUCET with SPRAY

SUBMITTAL DATA

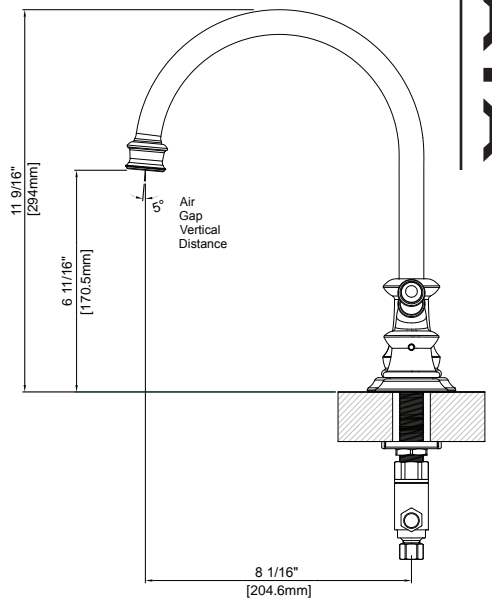
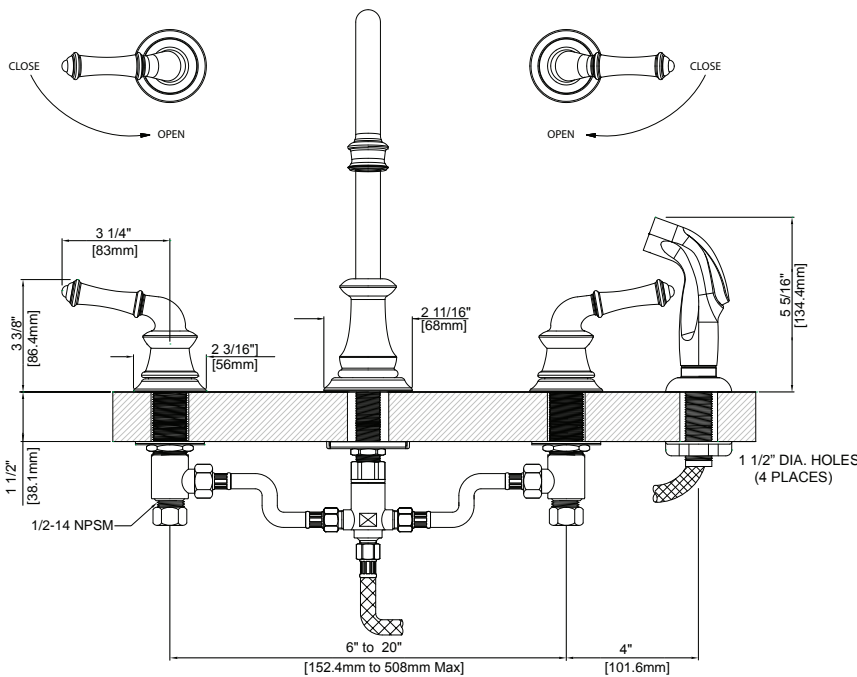


Features:

- PVD Brushed nickel
- Gooseneck spout
- Widespread kitchen faucet
- Ceramic disc cartridges
- 3" to 10" spread between holes
- Side spray assembly (requires fourth hole, 4" from center of right hole to center)
- 1.5 GPM aerator
- Contains no more than 0.25% weighted average lead content.

Standards

- ASME A112.18.1
- ANSI A117.1
- ANSI / NSF 61, SECTION 9
- CUPC / IAPMO LISTED / ADA COMPLIANT



APPROVED FOR MANUFACTURING

MODEL NO.: **JRL-1191-N** QTY: _____

JOB NAME: _____

TAG/ITEM: _____

CUSTOMER: _____

SIGNATURE: _____

JUST MANUFACTURING COMPANY 9233 KING STREET . FRANKLIN PARK . ILLINOIS . 60131-2111

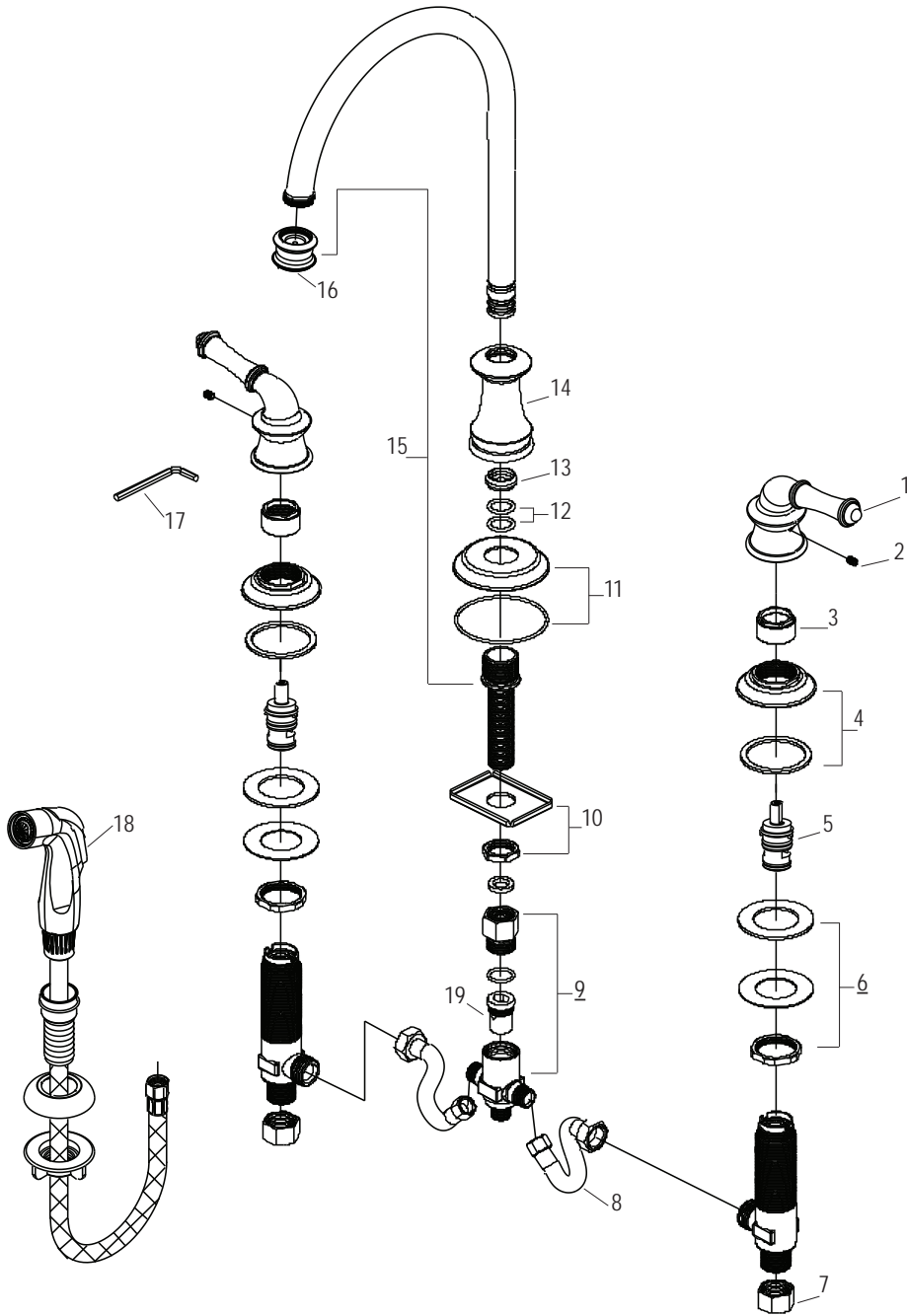
PH: 847-678-5150 . FAX: 847-678-6817 . E-MAIL: custserv@justmfg.com . www.justmfg.com

JRL-1191-N



PARTS DATA

FAUCET GROUP WIDE SPREAD KITCHEN FAUCET with SPRAY



| Item No. | Part No. | Description |
|----------|----------------------|---|
| 1 | 19-1206N | Handle |
| 2 | 19-4902 | Set screw |
| 3 | 19-4922 | Bonnet nut |
| 4 | 19-4923N | Handle escutcheon |
| 5 | 19-3902H 19-3902C | Ceramic stem - Hot Ceramic stem - Cold |
| 6 | 19-5901 | Valve mounting kit |
| 7 | 19-4904 | Supply nut |
| 8 | 19-4921 | Flex hose |
| 9 | 19-4920 | Cross connector |
| 10 | 19-5203 | Spout mounting kit |
| 11 | 19-4223N | Spout escutcheon |
| 12 | 19-4912 | Spout O-ring |
| 13 | 19-4913 | Spout snap ring |
| 14 | 19-4220N | Spout sleeve |
| 15 | 19-2205N | Spout |
| 16 | 19-4219N | 2.0 GPM aerator |
| 17 | 19-4924 | 3/32" Allen wrench |
| 18 | 19-4218 | Side spray assembly |
| 19 | 19-4216 | Diverter piston |

JUST MFG. COMPANY CONTINUES TO MAKE QUALITY AND FUNCTIONALITY A MARK OF THE JUST PRODUCT LINE. TO DO SO REQUIRES THAT WE RESERVE THE RIGHT TO CHANGE PRODUCT INFORMATION WITHOUT NOTICE. DIMENSIONS MAY VARY AND ARE SUBJECT TO CHANGE WITHOUT NOTICE. NO RESPONSIBILITY IS ASSUMED FOR USE OF SUPERCEDED OR VOIDED DATA. FOR THE MOST CURRENT AND ACCURATE INFORMATION REGARDING THE COMPLETE LINE OF JUST SINKS, FAUCETS AND DRAINS, CLICK ON THE **SPEC LINE DRAWINGS** LINK ON OUR WEB SITE AT www.justmfg.com

JUST MANUFACTURING COMPANY

9233 KING STREET . FRANKLIN PARK . ILLINOIS . 60131-2111

PH: 847-678-5150 . FAX: 847-678-6817

E-MAIL: custserv@justmfg.com

www.justmfg.com