



# JRL-1191

## FAUCET GROUP

### WIDESPREAD KITCHEN FAUCET with SPRAY

SUBMITTAL DATA

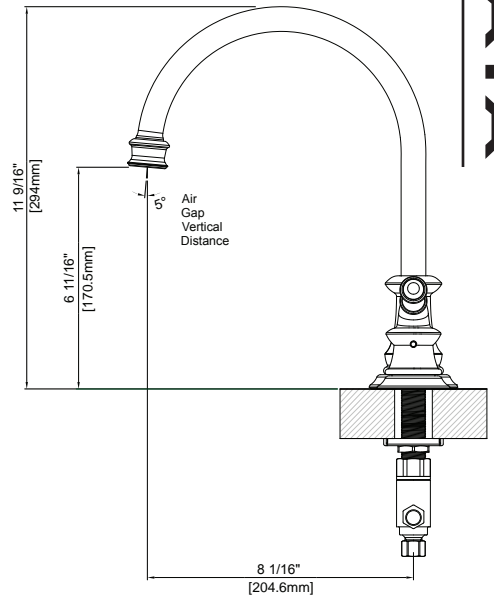
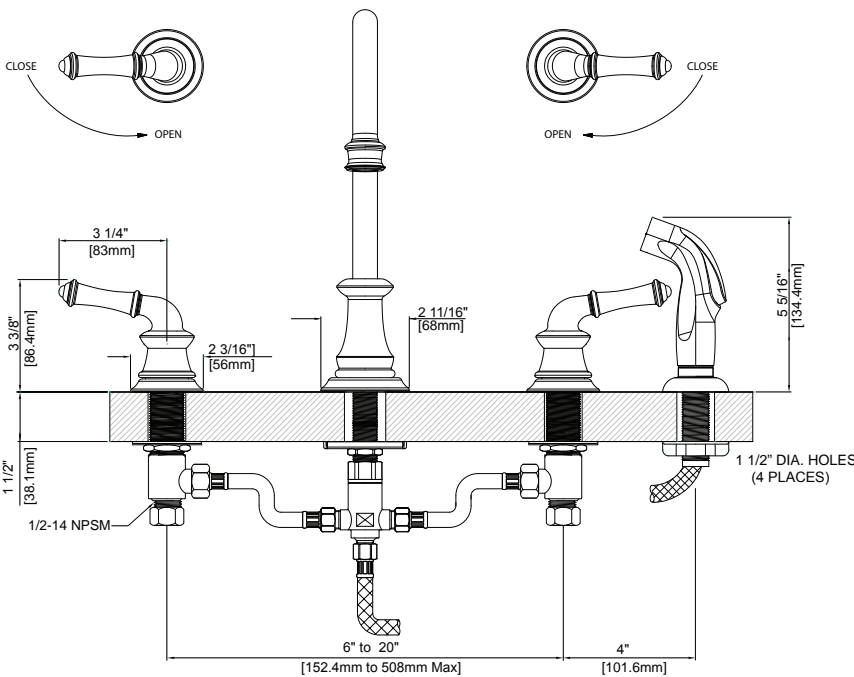


#### Features:

- PVD Polished chrome
- Gooseneck spout
- Widespread kitchen faucet
- Ceramic disc cartridges
- 3" to 10" spread between holes
- Side spray assembly (requires fourth hole, 4" from center of right hole to center)
- 1.5 GPM aerator
- Contains no more than 0.25% weighted average lead content.

#### Standards

- ASME A112.18.1
- ANSI A117.1
- ANSI / NSF 61, SECTION 9
- CUPC / IAPMO LISTED / ADA COMPLIANT



APPROVED FOR MANUFACTURING

MODEL NO.: **JRL-1191** QTY: \_\_\_\_\_

JOB NAME: \_\_\_\_\_

TAG/ITEM: \_\_\_\_\_

CUSTOMER: \_\_\_\_\_

SIGNATURE: \_\_\_\_\_

JUST MFG. COMPANY CONTINUES TO MAKE QUALITY AND FUNCTIONALITY A MARK OF THE JUST PRODUCT LINE. WE RESERVE THE RIGHT TO CHANGE PRODUCT INFORMATION WITHOUT NOTICE. DIMENSIONS MAY CHANGE AND MAY BE SUBJECT TO CHANGE WITHOUT NOTICE. NO RESPONSIBILITY IS ASSUMED FOR USE OF SUPERCEDED OR VOIDED DATA. JUST MFG. CO. SINKS ARE MADE IN THE U.S.A. WHEN COMPARING OTHER BRAND PRODUCTS, BE SURE TO COMPARE USA QUALITY ALONG WITH FEATURES AND DIMENSIONS.

**JUST MANUFACTURING COMPANY** 9233 KING STREET . FRANKLIN PARK . ILLINOIS . 60131-2111

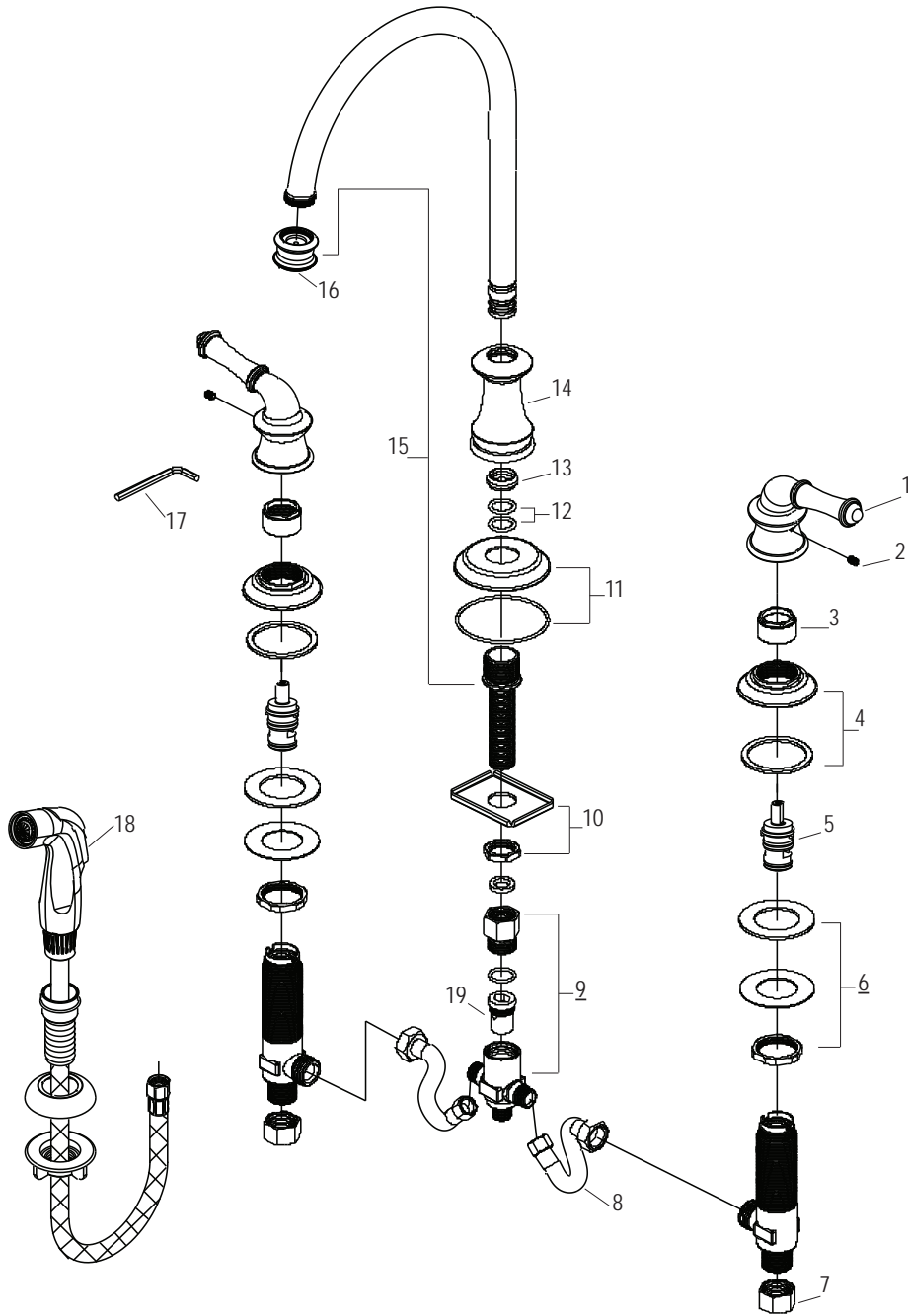
PH: 847-678-5150 . FAX: 847-678-6817 . E-MAIL: [custserv@justmfg.com](mailto:custserv@justmfg.com) . [www.justmfg.com](http://www.justmfg.com)

JRL-1191



PARTS DATA

**FAUCET GROUP**  
**WIDESPREAD KITCHEN FAUCET**  
 with SPRAY



Item No.	Part No.	Description
1	19-1206	Handle
2	19-4902	Set screw
3	19-4922	Bonnet nut
4	19-4923	Handle escutcheon
5	19-3902 19-3902C	Ceramic stem - Hot Ceramic stem - Cold
6	19-5901	Valve mounting kit
7	19-4904	Supply nut
8	19-4921	Flex hose
9	19-4920	Cross connector
10	19-5203	Spout mounting kit
11	19-4223	Spout escutcheon
12	19-4912	Spout O-ring
13	19-4913	Spout snap ring
14	19-4220	Spout sleeve
15	19-2205	Spout
16	19-4219	2.0 GPM aerator
17	19-4924	3/32" Allen wrench
18	19-4218	Side spray assembly
19	19-4216	Diverter piston

JUST MFG. COMPANY CONTINUES TO MAKE QUALITY AND FUNCTIONALITY A MARK OF THE JUST PRODUCT LINE. TO DO SO REQUIRES THAT WE RESERVE THE RIGHT TO CHANGE PRODUCT INFORMATION WITHOUT NOTICE. DIMENSIONS MAY VARY AND ARE SUBJET TO CHANGE WITHOUT NOTICE. NO RESPONSIBILITY IS ASSUMED FOR USE OF SUPERCEDED OR VOIDED DATA. FOR THE MOST CURRENT AND ACCURATE INFORMATION REGARDING THE COMPLETE LINE OF JUST SINKS, FAUCETS AND DRAINS, CLICK ON THE **SPEC LINE DRAWINGS** LINK ON OUR WEB SITE AT [www.justmfg.com](http://www.justmfg.com)

**JUST MANUFACTURING COMPANY**  
 9233 KING STREET . FRANKLIN PARK . ILLINOIS . 60131-2111  
 PH: 847-678-5150 . FAX: 847-678-6817  
 E-MAIL: [custserv@justmfg.com](mailto:custserv@justmfg.com) .  
[www.justmfg.com](http://www.justmfg.com)