



JRL-1190-N

FAUCET GROUP

WIDESPREAD KITCHEN FAUCET

SUBMITTAL DATA

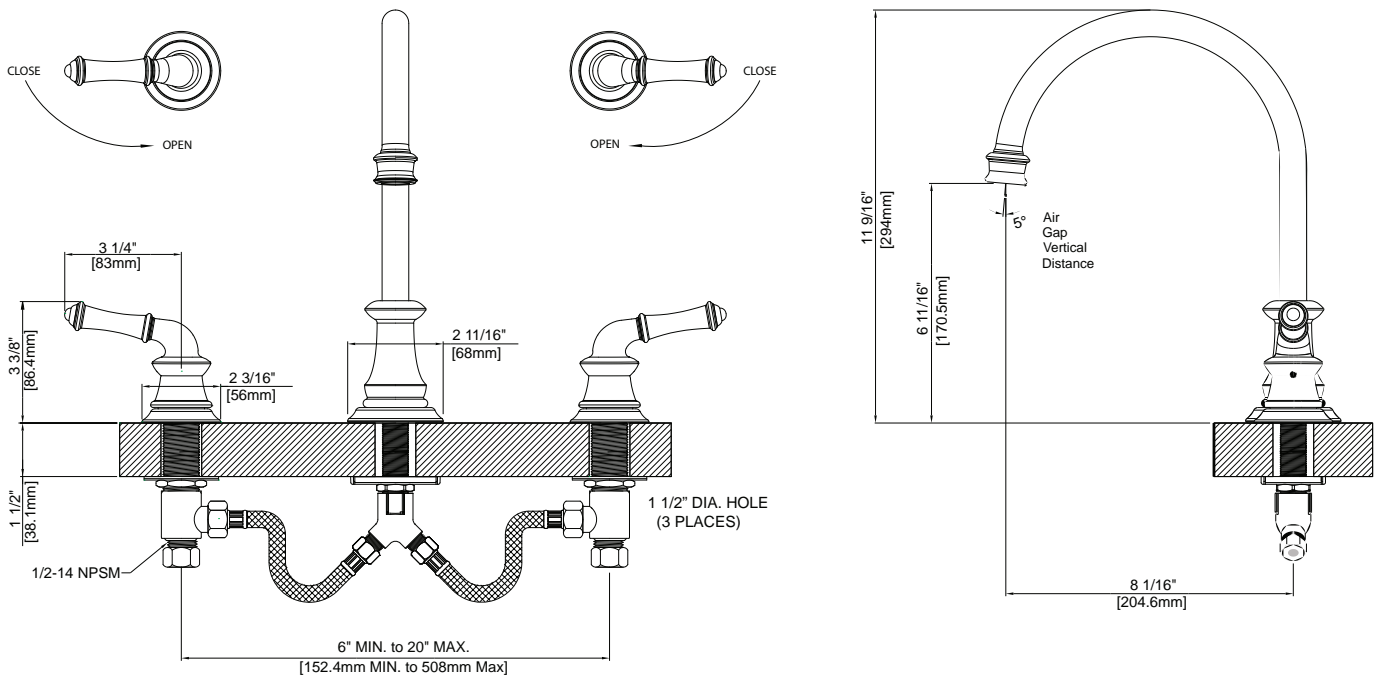


Features:

- PVD Brushed nickel
- Gooseneck spout
- Widespread kitchen faucet
- Ceramic disc cartridges
- 3" to 10" spread between holes
- 1.5 GPM aerator
- Contains no more than 0.25% weighted average lead content.

Standards

- ASME A112.18.1
- ANSI A117.1
- ANSI / NSF 61, SECTION 9
- CUPC / IAPMO LISTED / ADA COMPLIANT



APPROVED FOR MANUFACTURING

MODEL NO.: **JRL-1190-N** QTY: _____

JOB NAME: _____

TAG/ITEM: _____

CUSTOMER: _____

SIGNATURE: _____

JUST MFG. COMPANY CONTINUES TO MAKE QUALITY AND FUNCTIONALITY A MARK OF THE JUST PRODUCT LINE. TO DO SO REQUIRES THAT WE RESERVE THE RIGHT TO CHANGE PRODUCT INFORMATION WITHOUT NOTICE. DIMENSIONS MAY VARY AND ARE SUBJECT TO CHANGE WITHOUT NOTICE. NO RESPONSIBILITY IS ASSUMED FOR USE OF SUPERCEDED OR VOIDED DATA. FOR THE MOST CURRENT AND ACCURATE INFORMATION REGARDING THE COMPLETE LINE OF JUST SINKS, FAUCETS AND DRAINS, CLICK ON THE **SPEC LINE DRAWINGS** LINK ON OUR WEB SITE AT www.justmfg.com

JUST MANUFACTURING COMPANY

9233 KING STREET . FRANKLIN PARK . ILLINOIS . 60131-2111

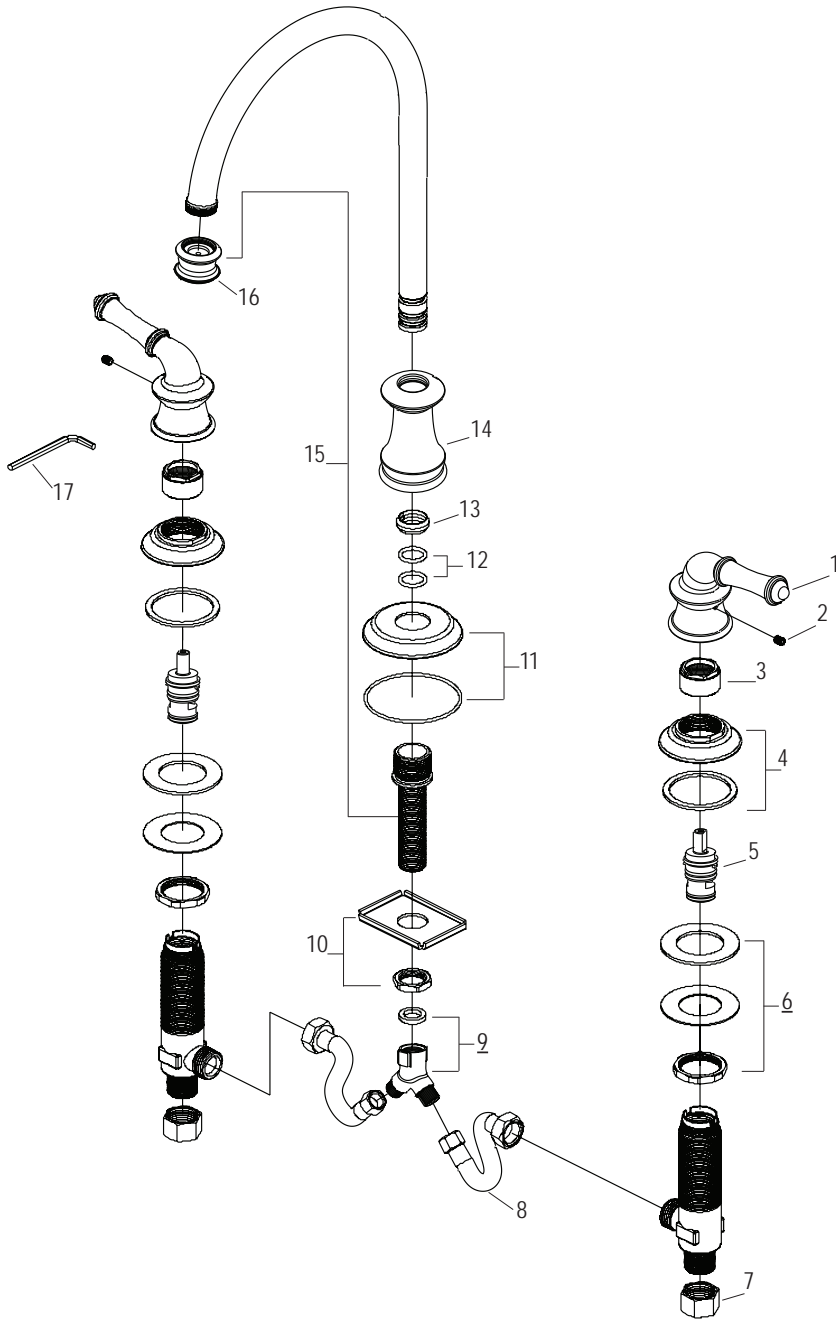
PH: 847-678-5150 . FAX: 847-678-6817 . E-MAIL: custserv@justmfg.com . www.justmfg.com

JRL-1190-N



PARTS DATA

FAUCET GROUP WIDESPREAD KITCHEN FAUCET



Item No.	Part No.	Description
1	19-1206N	Handle
2	19-4902	Set screw
3	19-4922	Bonnet nut
4	19-4923N	Handle escutcheon
5	19-3902H 19-3902C	Ceramic stem - Hot Ceramic stem - Cold
6	19-5901	Valve mounting kit
7	19-4904	Supply nut
8	19-4921	Flex hose
9	19-4920	"Y" connector
10	19-5203	Spout mounting kit
11	19-4223N	Spout escutcheon
12	19-4912	Spout O-ring
13	19-4913	Spout snap ring
14	19-4220N	Spout sleeve
15	19-2205N	Spout
16	19-4219N	2.0 GPM aerator
17	19-4924	3/32" Allen wrench

JUST MFG. COMPANY CONTINUES TO MAKE QUALITY AND FUNCTIONALITY A MARK OF THE JUST PRODUCT LINE. TO DO SO REQUIRES THAT WE RESERVE THE RIGHT TO CHANGE PRODUCT INFORMATION WITHOUT NOTICE. DIMENSIONS MAY VARY AND ARE SUBJECT TO CHANGE WITHOUT NOTICE. NO RESPONSIBILITY IS ASSUMED FOR USE OF SUPERCEDED OR VOIDED DATA. FOR THE MOST CURRENT AND ACCURATE INFORMATION REGARDING THE COMPLETE LINE OF JUST SINKS, FAUCETS AND DRAINS, CLICK ON THE **SPEC LINE DRAWINGS** LINK ON OUR WEB SITE AT www.justmfg.com

JUST MANUFACTURING COMPANY

9233 KING STREET . FRANKLIN PARK . ILLINOIS . 60131-2111

PH: 847-678-5150 . FAX: 847-678-6817

E-MAIL: custserv@justmfg.com

www.justmfg.com