



# JPSW-14-R-2237-T

## INSTITUTIONAL GROUP

### MEDICAL DEVICE CLEANING STATION

#### Single Compartment - Drainboard w/Spillway FITTINGS PACKAGE

SUBMITTAL DATA



#### PRODUCT DETAILS

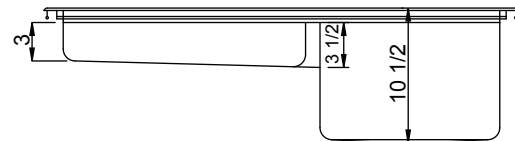
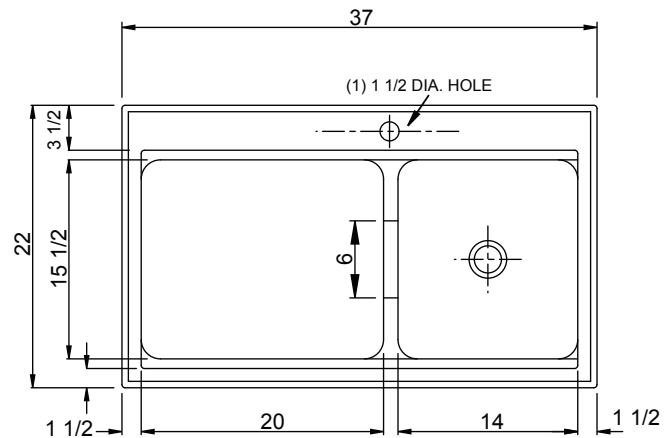
- Medical Cleaning Station made of 16 gauge, type 304 stainless steel
- Perforated work surface slides for greater versatility.
- Fully covered compartments for easy cleaning.
- Fully coated underside reduces condensation and provides sound deadening.

#### SPECIFICATIONS

Seamless welded construction of 16 gauge, type 304 stainless steel. Integral pitched drainboard with spillway. Sliding, 18 gauge, type 304 perforated work surface with edge protection to reduce scratching. Interior surfaces and top flange polished with a Hand-Blended Just Finish. Fully coated underside insulates for sound and reduces condensation. Grip-Rim Plus stainless steel mounting channel with clips.

Includes:

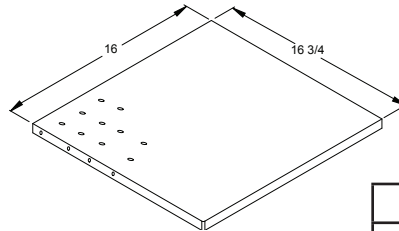
- (1) JPR-501-N - Pre-rinse faucet with nickel finish.
- (1) J-35-SSF stainless steel flat grid strainer.
- (1) Perforated sliding work surface with edge protector.



OPENING FOR  
Cu-J-15-FS DRAIN



**PERFORATED WORK SURFACE**



#### CUTOUT DIMENSIONS

Model No.	Front-to-Back	Left-to-Right
JPSW-14-R-2237-T	21-1/4	36-1/4

APPROVED FOR MANUFACTURING

MODEL NO.: **JPSW-14-R-2237-T** QTY: \_\_\_\_\_

JOB NAME: \_\_\_\_\_

TAG/ITEM: \_\_\_\_\_

CUSTOMER: \_\_\_\_\_

SIGNATURE: \_\_\_\_\_



JUST MFG. COMPANY CONTINUES TO MAKE QUALITY AND FUNCTIONALITY A MARK OF THE JUST PRODUCT LINE. WE RESERVE THE RIGHT TO CHANGE PRODUCT INFORMATION WITHOUT NOTICE. DIMENSIONS MAY CHANGE AND MAY BE SUBJECT TO CHANGE WITHOUT NOTICE. NO RESPONSIBILITY IS ASSUMED FOR USE OF SUPERCEDED OR VOIDED DATA. JUST MFG. CO. SINKS ARE MADE IN THE U.S.A. WHEN COMPARING OTHER BRAND PRODUCTS, BE SURE TO COMPARE USA QUALITY ALONG WITH FEATURES AND DIMENSIONS.

**JUST MANUFACTURING COMPANY**

9233 KING STREET . FRANKLIN PARK . ILLINOIS . 60131-2111

PH: 847-678-5150 . FAX: 847-678-6817 . E-MAIL: [custserv@justmfg.com](mailto:custserv@justmfg.com) . [www.justmfg.com](http://www.justmfg.com)



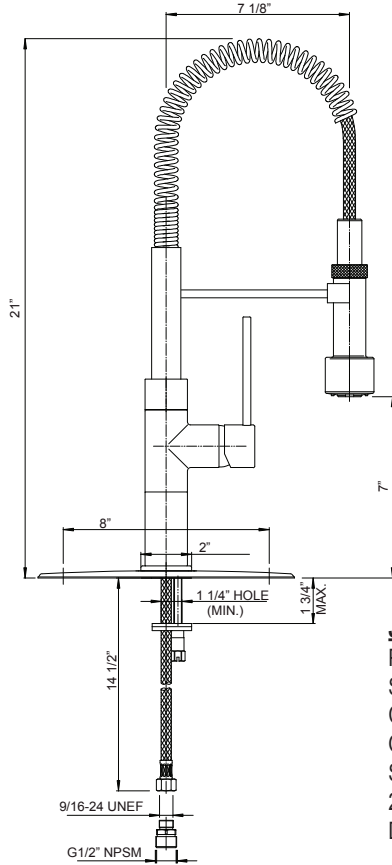
SUBMITTAL DATA

# JPSW-14-R-2237-T

## INSTITUTIONAL GROUP

### MEDICAL DEVICE CLEANING STATION

#### Single Compartment - Drainboard w/Spillway FITTINGS PACKAGE



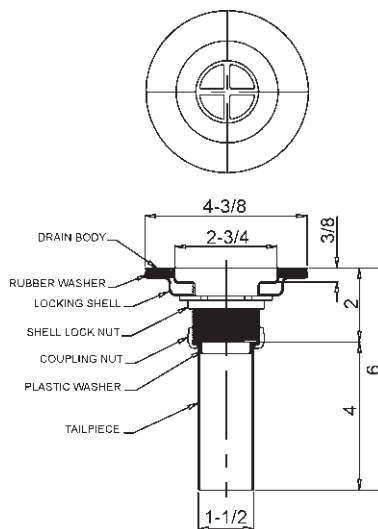
#### **JPR-501-N Pre-Rinse Faucet**

- Pull-down sprayer with adjustable spray stream.
- Single Handle
- Ceramic disc cartridge.
- Quarter turn valve.
- Single hole installation.
- 2.2 GPM aerator
- Deck Plate included.



#### **J-35-SSF Drain**

Type 304 stainless steel drain body, flat grid and 1-1/2" O.D. tailpiece, 4" long. Coupling and lock nut of die cast zinc.



JUST MANUFACTURING COMPANY

9233 KING STREET . FRANKLIN PARK . ILLINOIS . 60131-2111

PH: 847-678-5150 . FAX: 847-678-6817 . E-MAIL: [custserv@justmfg.com](mailto:custserv@justmfg.com) . [www.justmfg.com](http://www.justmfg.com)