



JPR-501-N

FAUCET GROUP KITCHEN FAUCET

Pull-down Spray - Single Handle
Brushed Nickel

SUBMITTAL DATA

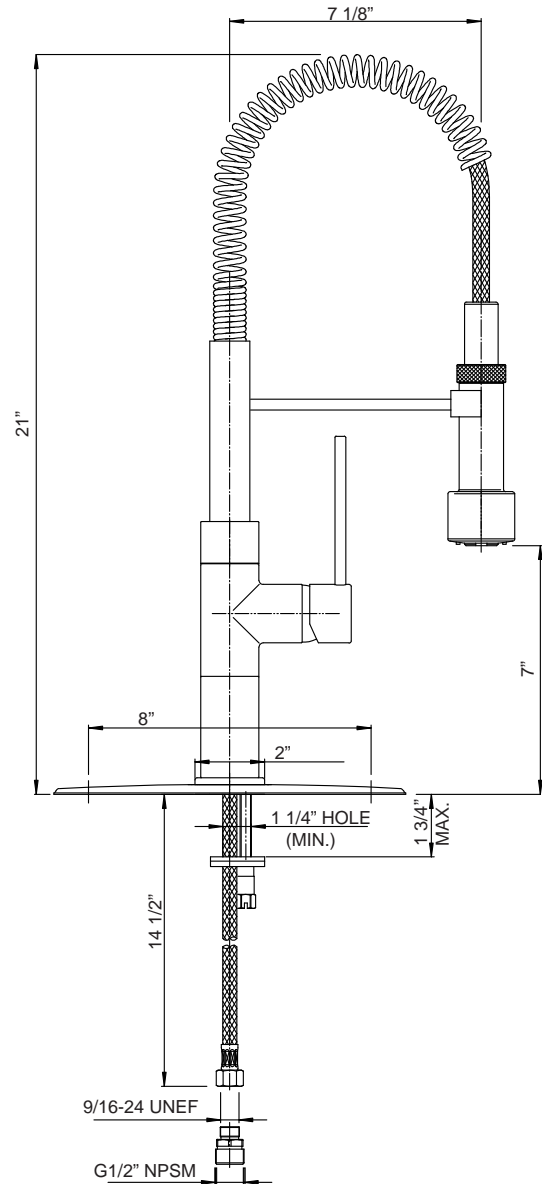


Features:

- PVD Brushed nickel
- Pull-down spray - kitchen faucet
- Adjustable spray stream
- Single handle
- Ceramic disc cartridge
- Quarter turn valve
- Single hole installation
- Deck plate included .
- 1.75 GPM aerator

Standards

- ASME A112.18.1



APPROVED FOR MANUFACTURING	
MODEL NO.:	JPR-501-N QTY: _____
JOB NAME:	_____
TAG/ITEM:	_____
CUSTOMER:	_____
SIGNATURE:	_____

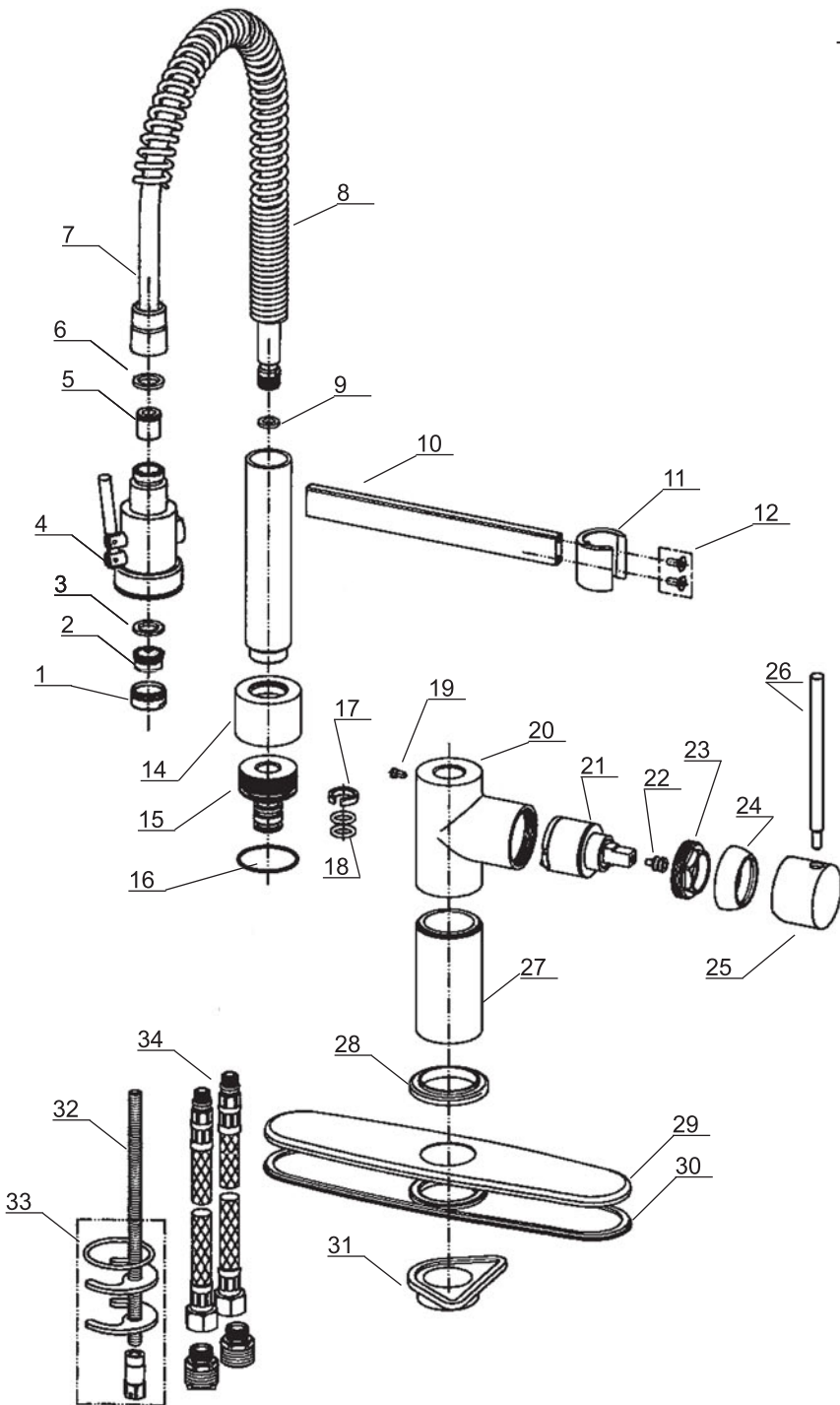
JUST MFG. COMPANY CONTINUES TO MAKE QUALITY AND FUNCTIONALITY A MARK OF THE JUST PRODUCT LINE. TO DO SO REQUIRES THAT WE RESERVE THE RIGHT TO CHANGE PRODUCT INFORMATION WITHOUT NOTICE. DIMENSIONS MAY VARY AND ARE SUBJECT TO CHANGE WITHOUT NOTICE. NO RESPONSIBILITY IS ASSUMED FOR USE OF SUPERCEDED OR VOIDED DATA. FOR THE MOST CURRENT AND ACCURATE INFORMATION REGARDING THE COMPLETE LINE OF JUST SINKS, FAUCETS AND DRAINS, CLICK ON THE **SPEC LINE DRAWINGS** LINK ON OUR WEB SITE AT www.justmfg.com

JUST MANUFACTURING COMPANY

9233 KING STREET . FRANKLIN PARK . ILLINOIS . 60131-2111

PH: 847-678-5150 . FAX: 847-678-6817 . E-MAIL: custserv@justmfg.com . www.justmfg.com

JPR-501-N
FAUCET GROUP
 PRE-RINSE FAUCET



Item No.	Part No.	Description
1	JMP-3501	Aerator ring
2	JMP-3402	Aerator
3	JMP-3303	Washer
4	JMP-3204	Spray head
5	JMP-3105	No return valve
6	JMP-3006	Washer
7	JMP-2907	Hose
8	JMP-2808	Spring
9	JMP-2709	Washer
10	JMP-2410N	Horizontal spout holder
11	JMP-2511N	Shower holder
12	JMP-2612	Screws
13	JMP-2313	Spout holder
14	JMP-2214N	Chrome Shields
15	JMP-1915	Connector
16	JMP-1816	Antifriction ring
17	JMP-2117	Plastic ring
18	JMP-2018	O-ring
19	JMP-1908	Screw
20	JMP-0720N	Body
21	JMP-0621	Cartridge
22	JMP-0522	Lock screw
23	JMP-0423	Locking nut
24	JMP-0323	Cover
25	JMP-0225N	Handle
26	JMP-0126N	Lever
27	JMP-0927N	Shank
28	JMP-1028	Base ring
29	JMP-1129N	Deck plate
30	JMP-1230	Plastic sheet
31	JMP-1331	Flange
32	JMP-1434	Supply tubes
33	JMP-1535	Nipples
34	JMP-1633	Fixing kit
35	JMP-1732	Threaded pin

JUST MANUFACTURING COMPANY

9233 KING STREET , FRANKLIN PARK , ILLINOIS , 60131-2111

PH: 847-678-5150 . FAX: 847-678-6817 . E-MAIL: custserv@justmfg.com . www.justmfg.com