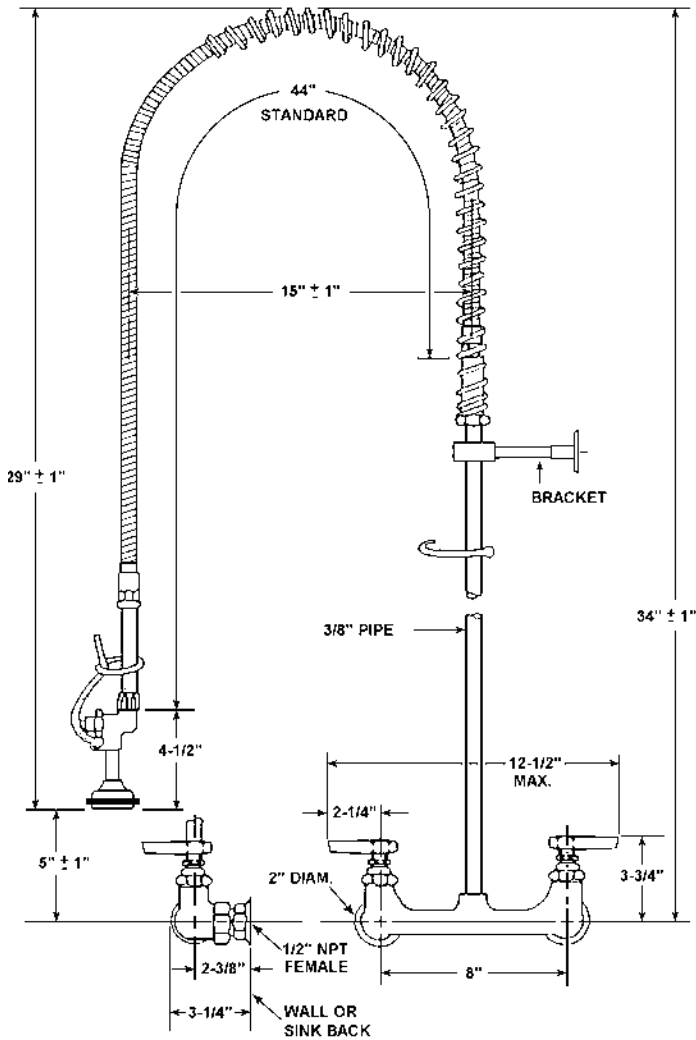




JPR-309

FAUCET GROUP PRE-RINSE UNIT

SUBMITTAL DATA



TECHNICAL DATA CONSTRUCTION:

Exposed wall or backsplash mount on 8 inch centers
 44" stainless steel hose with rubber interior
 Brass mixing faucet has 1/2" flanged union inlets
 Integral ball checks in faucet prevents water cross flow
 Flow rate 1.6 GPM
 Handles are fully open in less than 1/2 turn
 Wall bracket assembly for secure installation included
 Compliant with:

- * NSF/ANSI 61/9- Annex G
- * AB1953 Compliant
- * ANSI A112.18.1 / CSA B125.1

OPTIONS	
AERATORS / FLOW CONTROL	
0.65 GPM	1.2 GPM
0.74 GPM	

FINISH Polished chrome plate

APPROVED FOR MANUFACTURING

MODEL NO.: **JPR-309** QTY: _____

JOB NAME: _____

TAG/ITEM: _____

CUSTOMER: _____

SIGNATURE: _____

JUST MFG. COMPANY CONTINUES TO MAKE QUALITY AND FUNCTIONALITY A MARK OF THE JUST PRODUCT LINE. WE RESERVE THE RIGHT TO CHANGE PRODUCT INFORMATION WITHOUT NOTICE. DIMENSIONS MAY CHANGE AND MAY BE SUBJECT TO CHANGE WITHOUT NOTICE. NO RESPONSIBILITY IS ASSUMED FOR USE OF SUPERCEDED OR VOIDED DATA. JUST MFG. CO. SINKS ARE MADE IN THE U.S.A. WHEN COMPARING OTHER BRAND PRODUCTS, BE SURE TO COMPARE USA QUALITY ALONG WITH FEATURES AND DIMENSIONS.

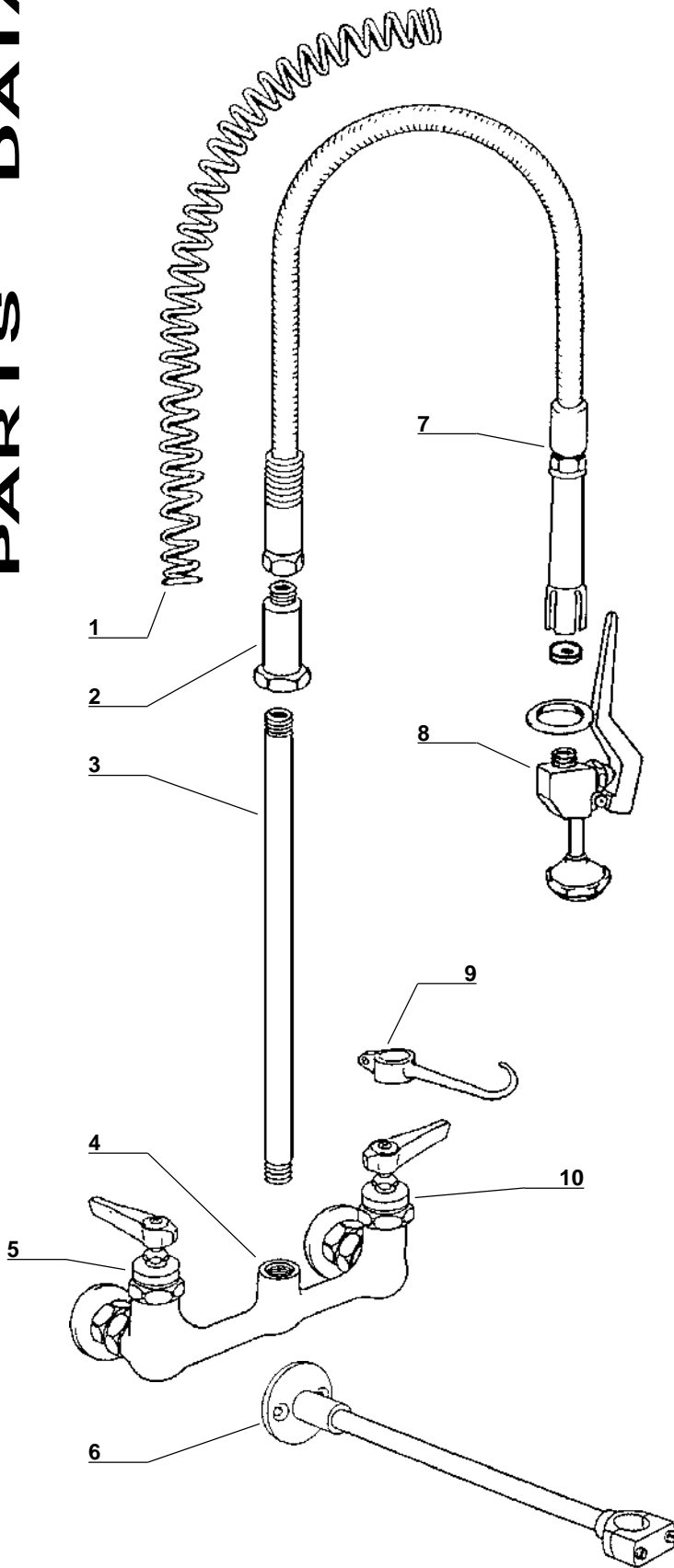
REVISED-2013

JUST MANUFACTURING COMPANY 9233 KING STREET FRANKLIN PARK ILLINOIS 60131-2111
 PH: 847-678-5150 . FAX: 847-678-6817 . E-MAIL: custserv@justmfg.com . www.justmfg.com



FAUCET GROUP

PRE-RINSE UNIT



Item No.		
1	K50-X033	Spring
2	K50-X032	Spring Retainer
3	K50-X007	Riser (18" long)
4	K53-Y001	Inlet Assembly
5	K50-Y007	Cartridge - Hot
6	K50-Y020	Wall Bracket Assembly
7	K50-Y004	Hose Assembly (44" long)
8	K50-Y002	Pre-rinse Assembly
9	K50-Y011	Hook / Screw Assembly
10	K50-Y006	Cartridge - Cold

JUST MFG. COMPANY CONTINUES TO MAKE QUALITY AND FUNCTIONALITY A MARK OF THE JUST PRODUCT LINE. TO DO SO REQUIRES THAT WE RESERVE THE RIGHT TO CHANGE PRODUCT INFORMATION WITHOUT NOTICE. DIMENSIONS MAY VARY AND ARE SUBJECT TO CHANGE WITHOUT NOTICE. NO RESPONSIBILITY IS ASSUMED FOR USE OF SUPERCEDED OR VOIDED DATA. FOR THE MOST CURRENT AND ACCURATE INFORMATION REGARDING THE COMPLETE LINE OF JUST SINKS, FAUCETS AND DRAINS, CLICK ON THE **SPEC LINE DRAWINGS** LINK ON OUR WEB SITE AT www.justmfg.com

JUST MANUFACTURING COMPANY
 9233 KING STREET . FRANKLIN PARK . ILLINOIS . 60131-2111
 PH: 847-678-5150 . FAX: 847-678-6817
 E-MAIL: custserv@justmfg.com . www.justmfg.com